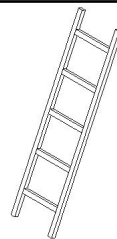
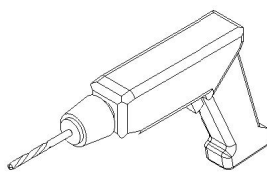
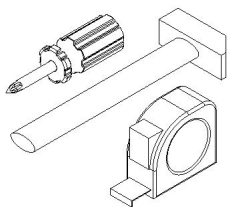
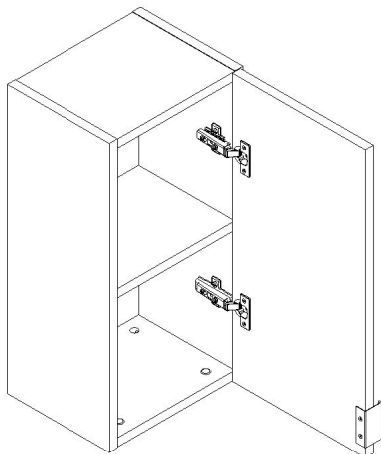


- 30 min.

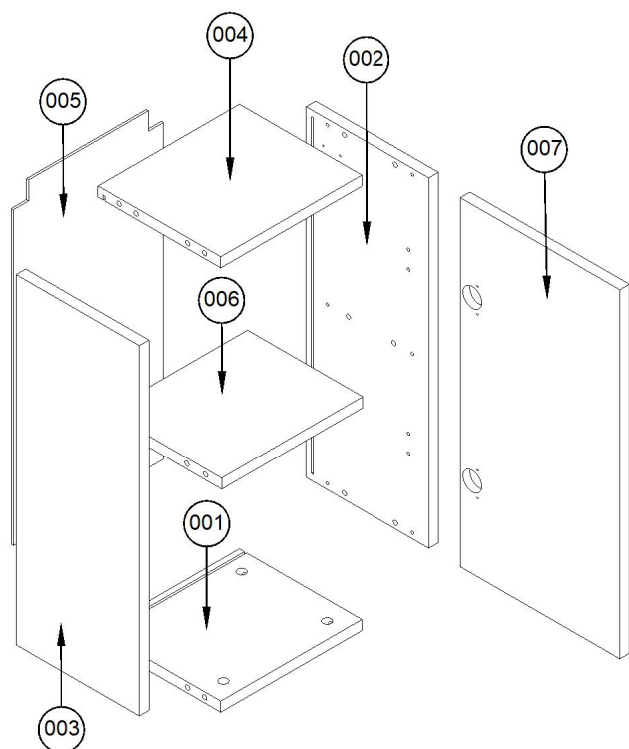
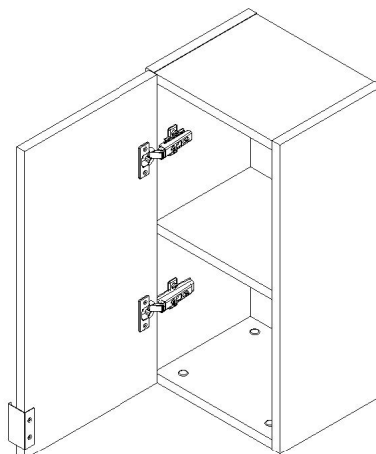


SZL60Pi

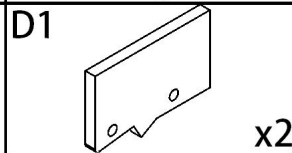
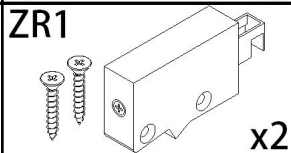
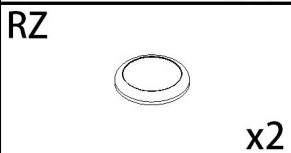
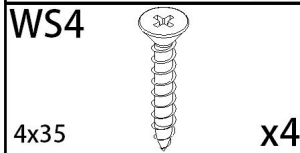
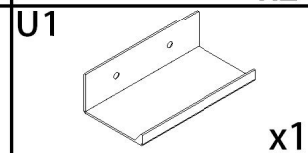
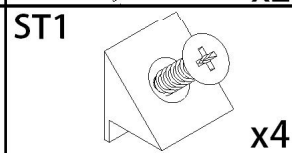
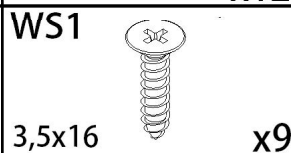
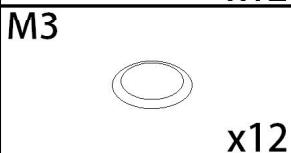
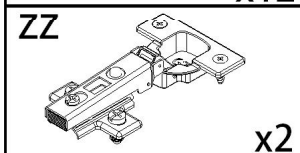
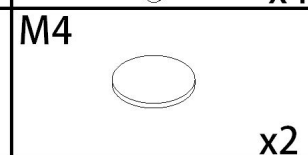
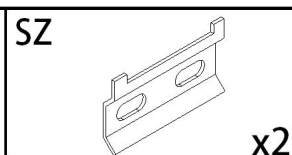
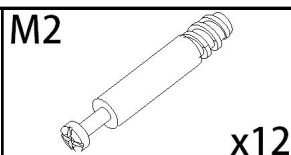
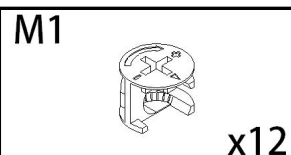
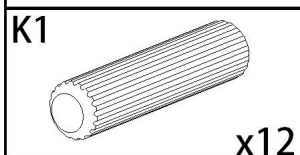
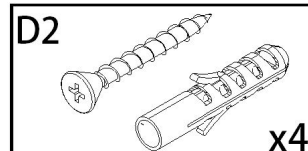
A



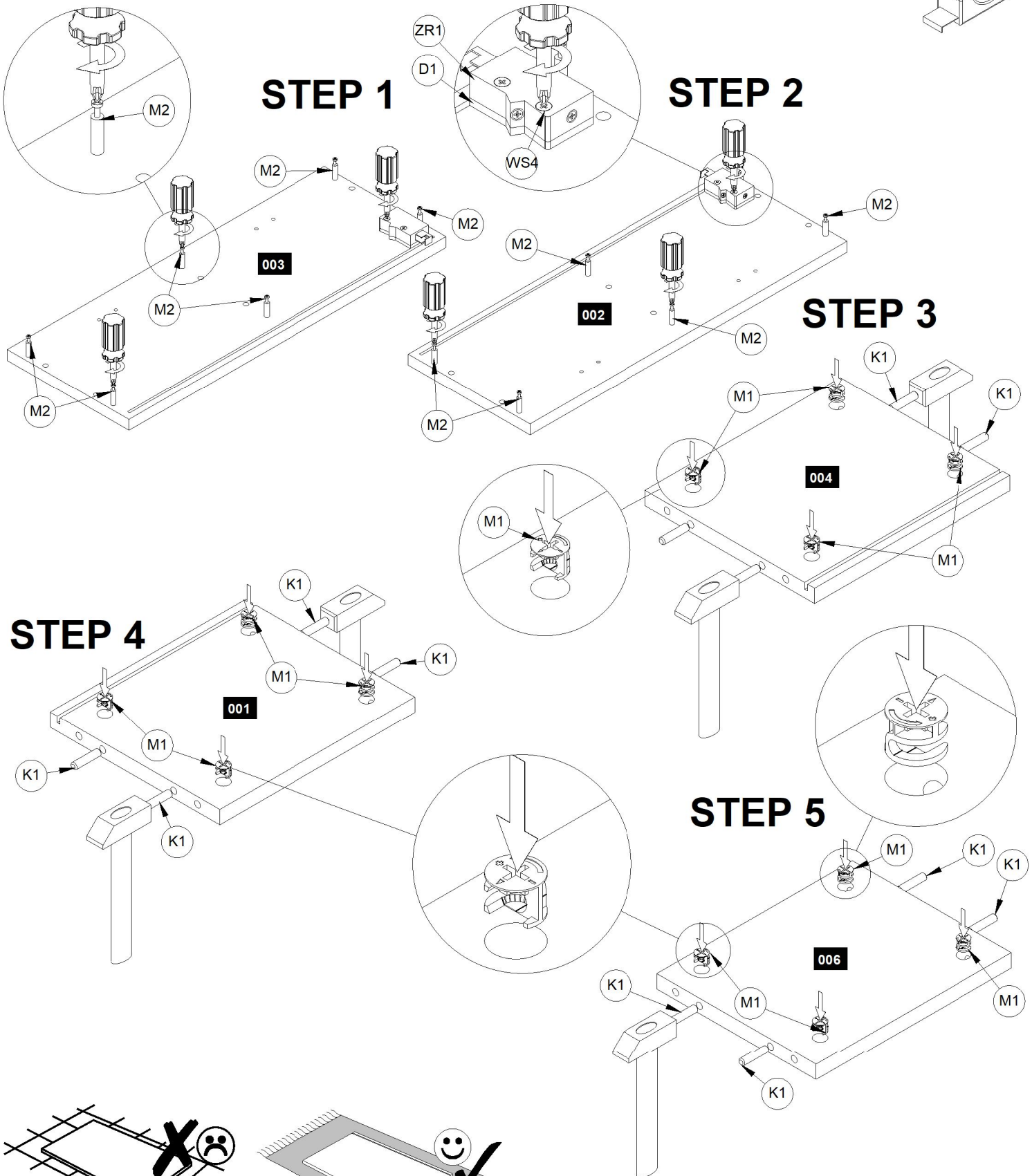
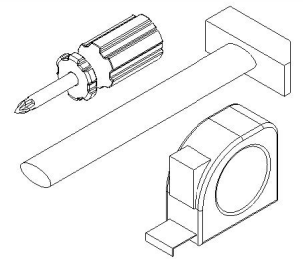
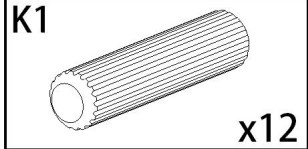
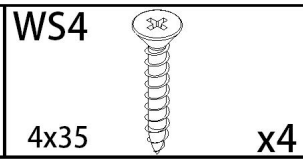
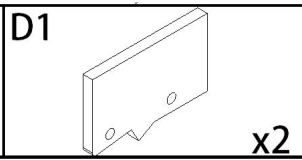
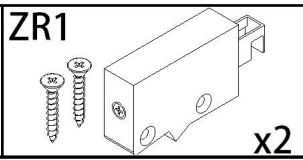
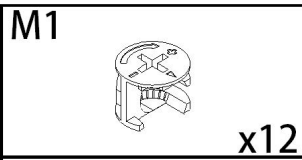
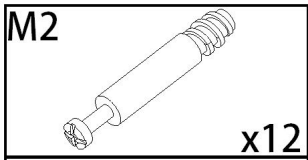
B



Number	Qty	Size A	Size B
001	1	264	229
002	1	600	230
003	1	600	230
004	1	264	229
005	1	578	280
007	1	598	298
006	1	264	216



1/8

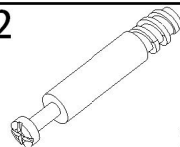


M1



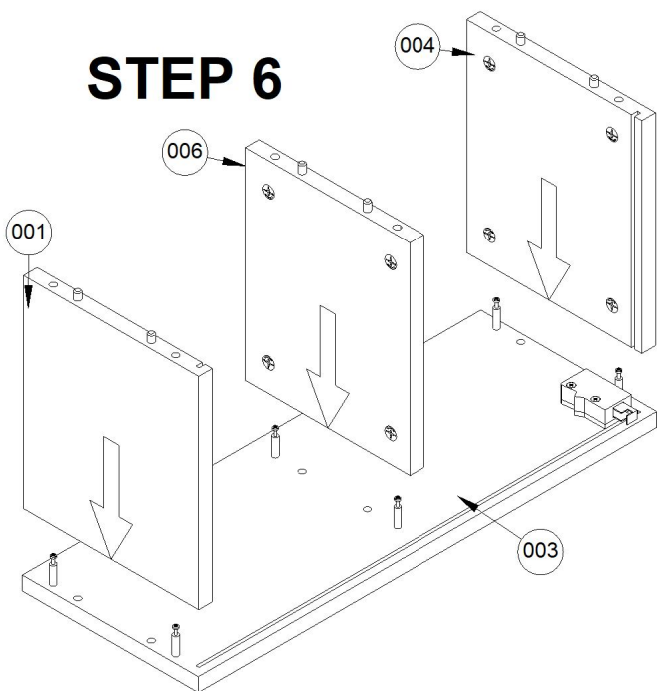
x12

M2

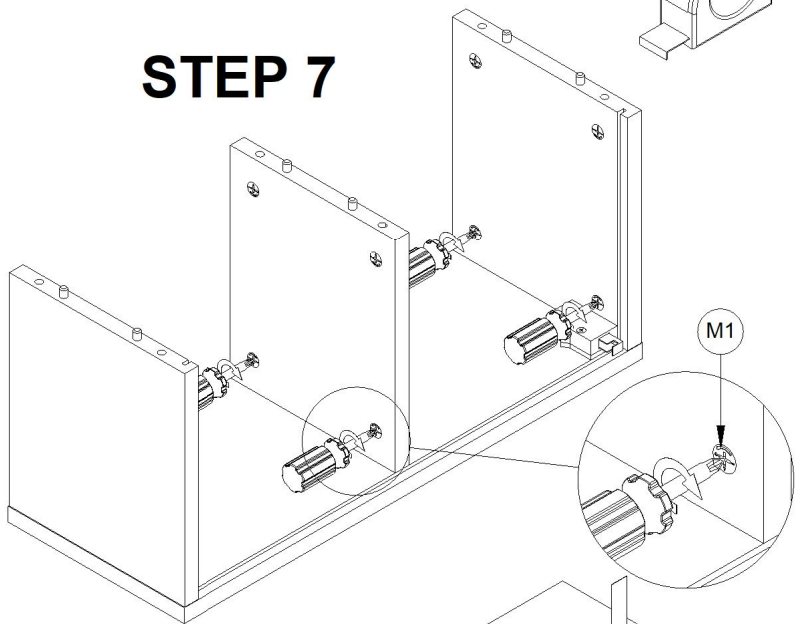


x12

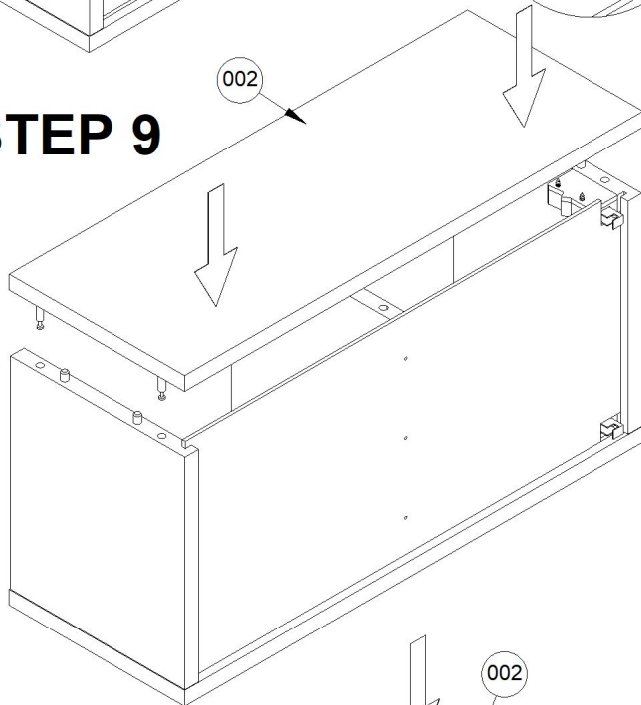
STEP 6



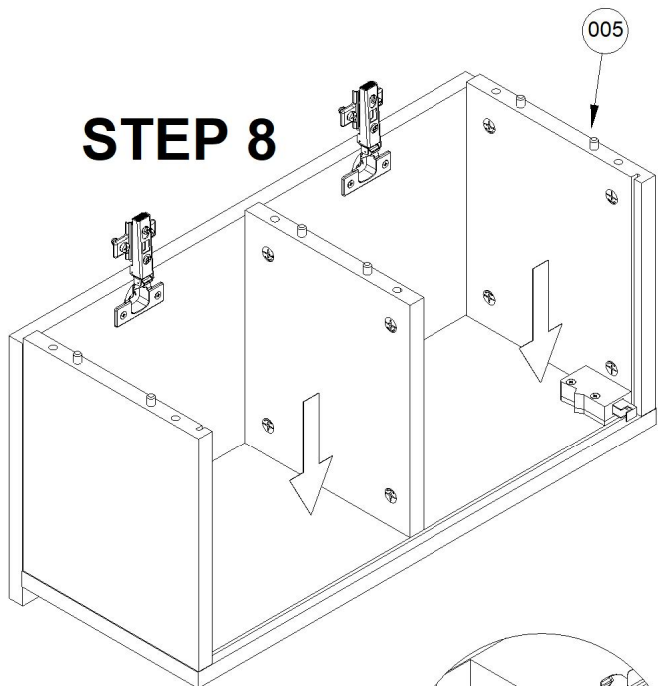
STEP 7



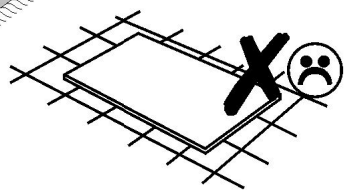
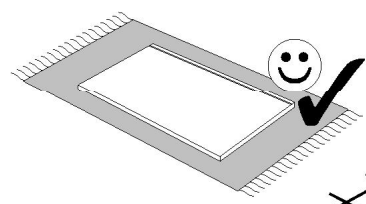
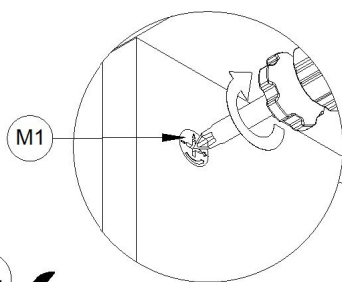
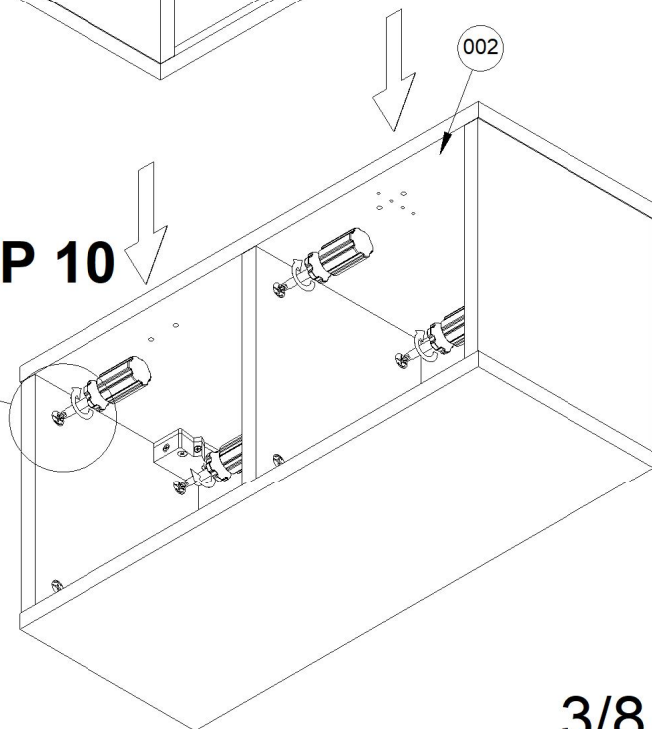
STEP 9

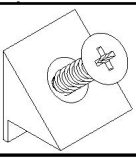



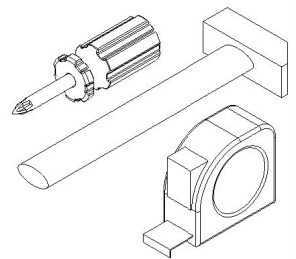
STEP 8



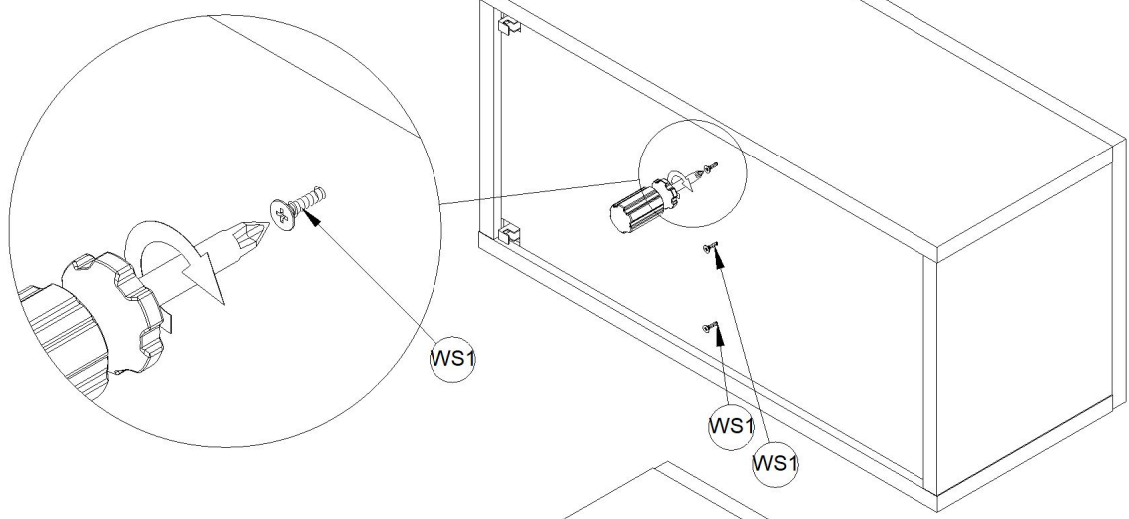
STEP 10



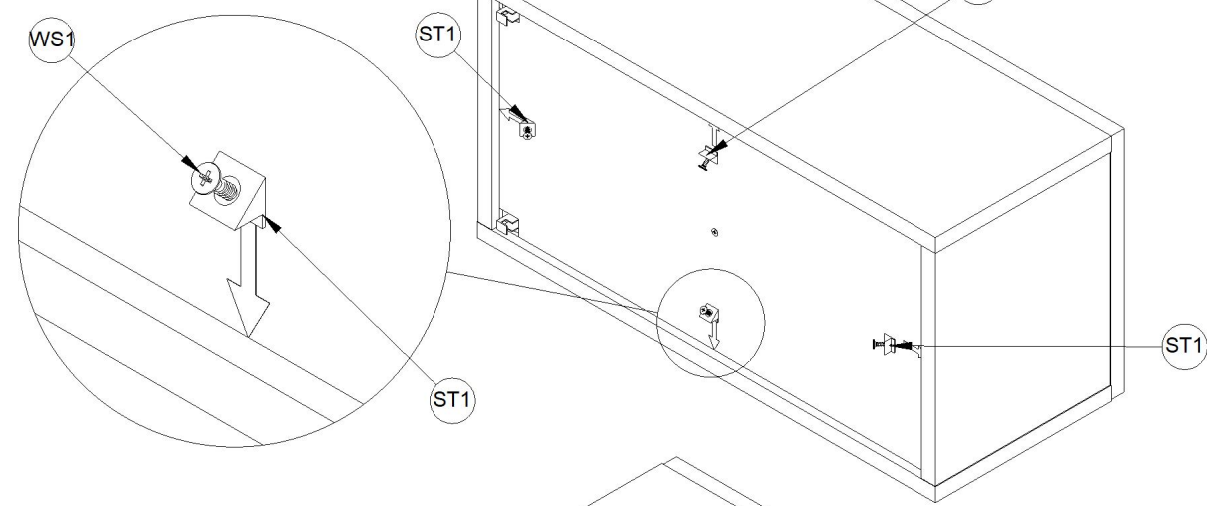
<p>ST1</p>  <p>x4</p>	<p>WS1</p>  <p>3,5x16</p> <p>x9</p>
---	---



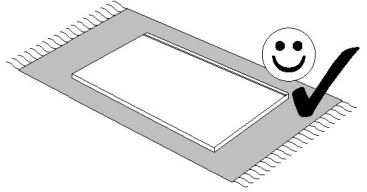
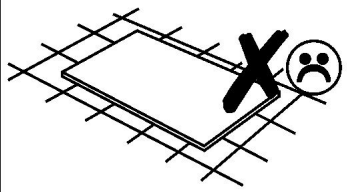
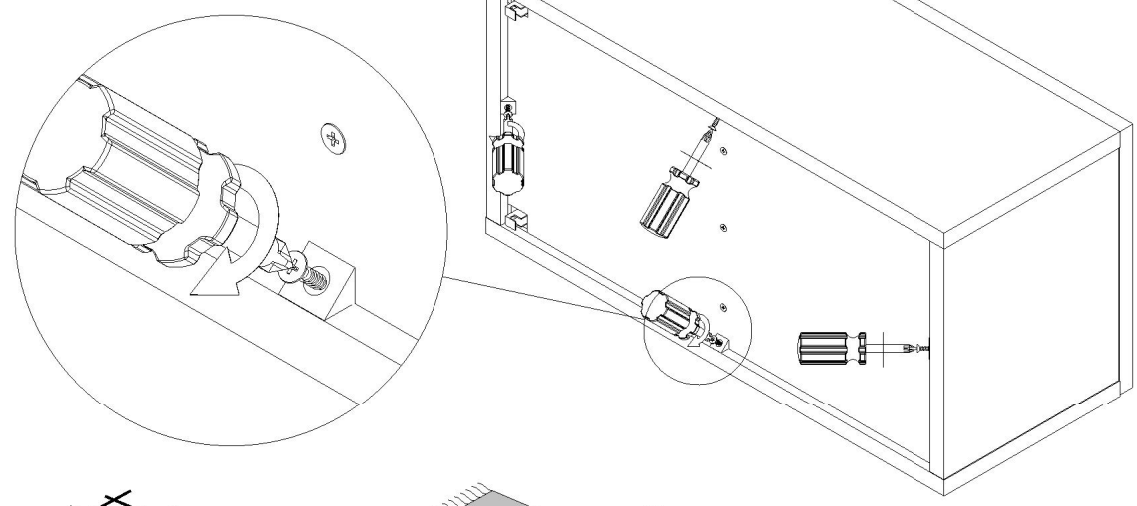
STEP 11



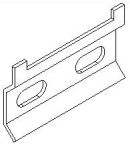
STEP 12



STEP 13

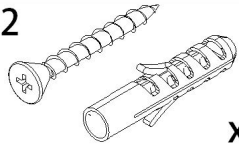


SZ

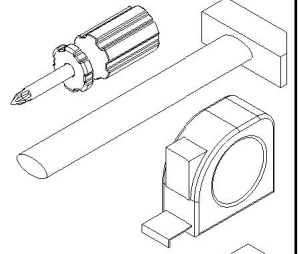
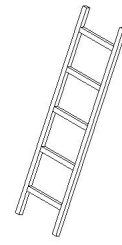
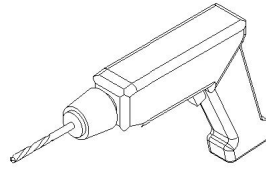


x2

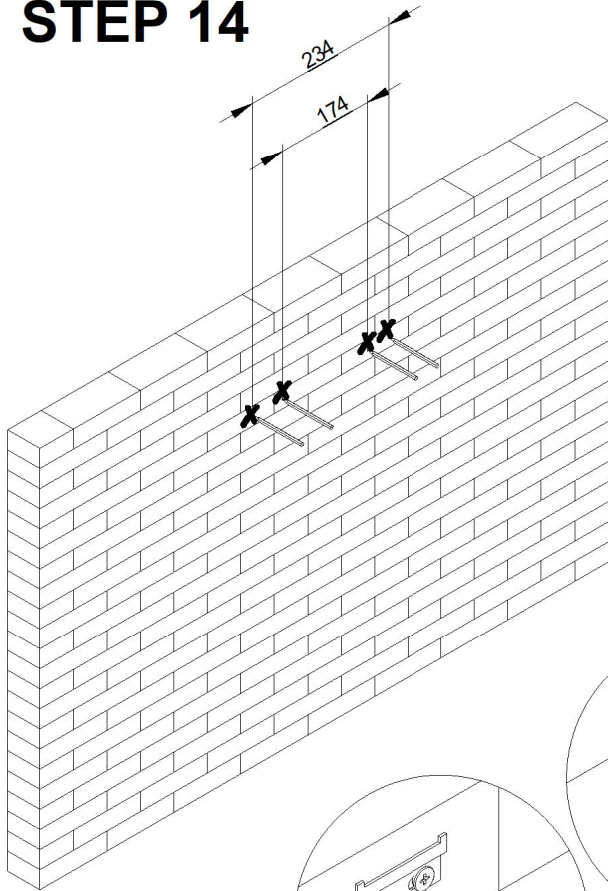
D2



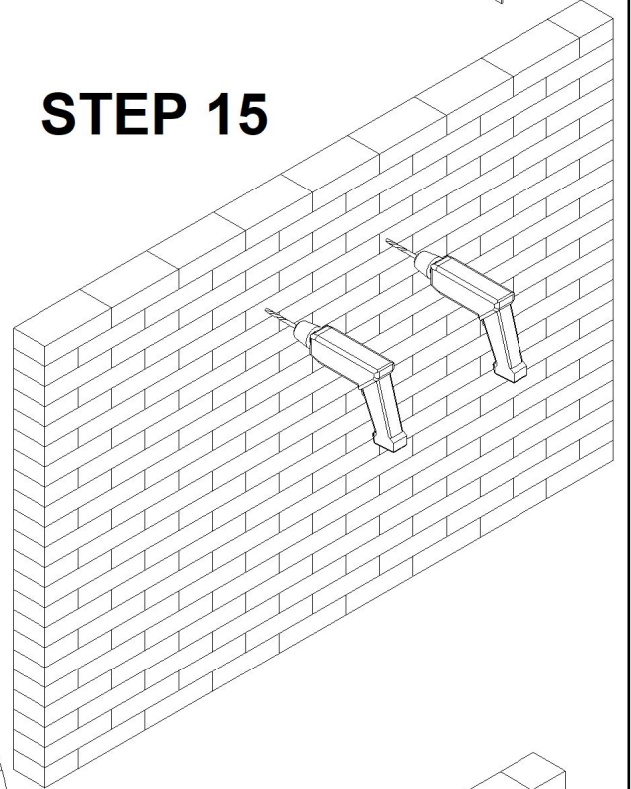
x4



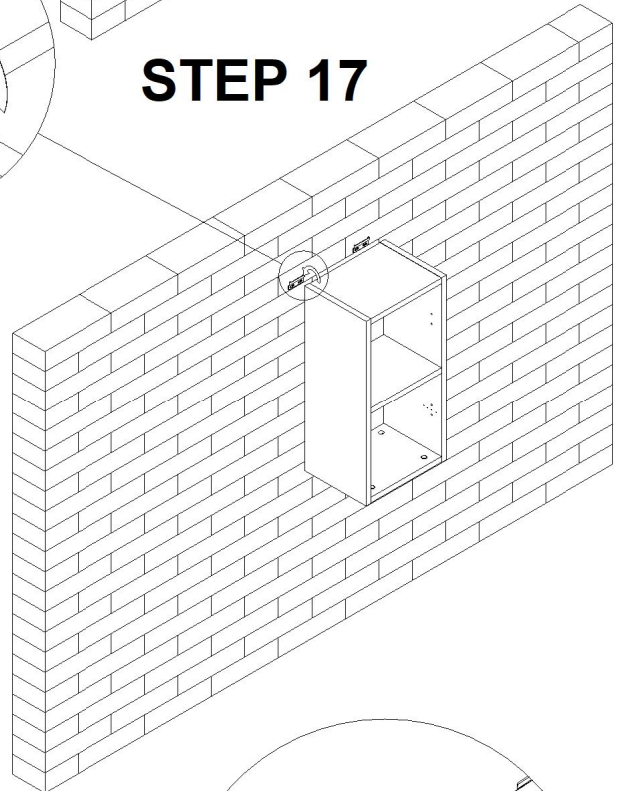
STEP 14



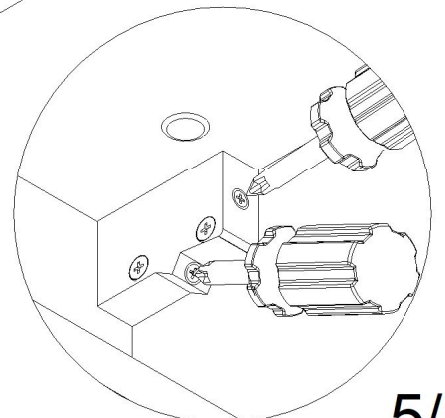
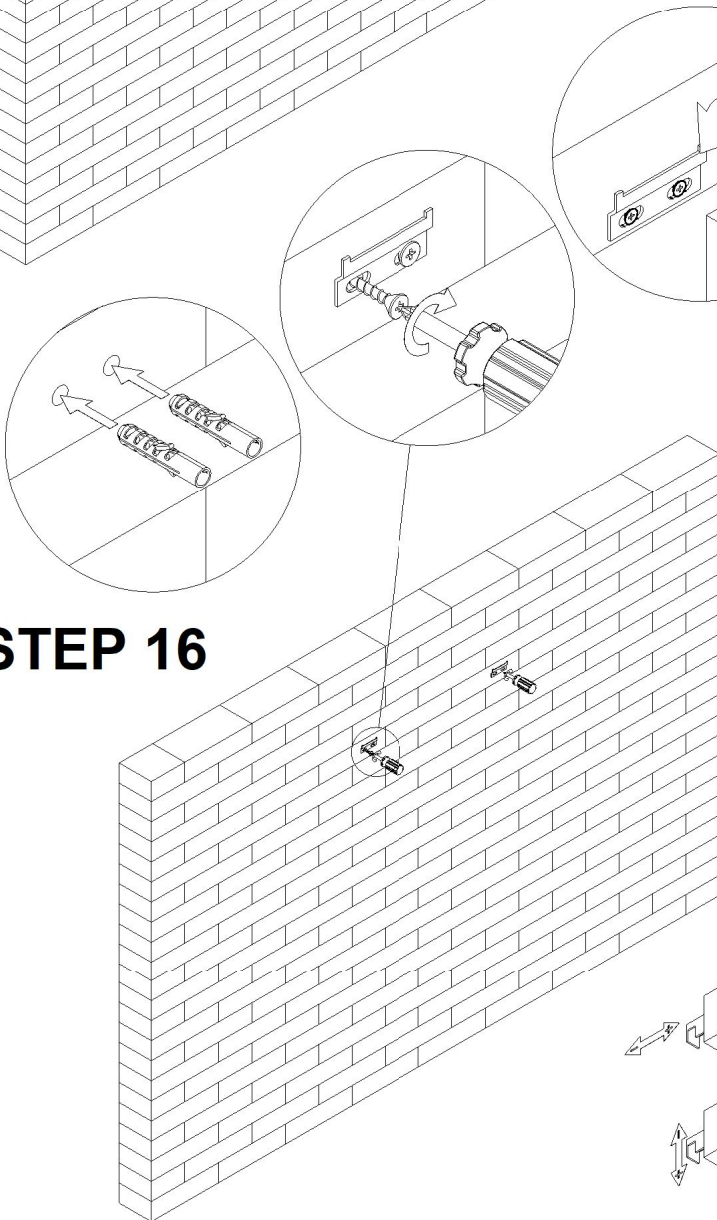
STEP 15

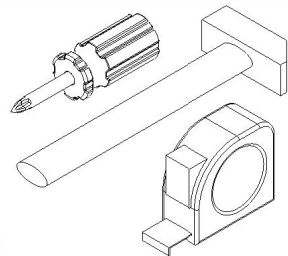
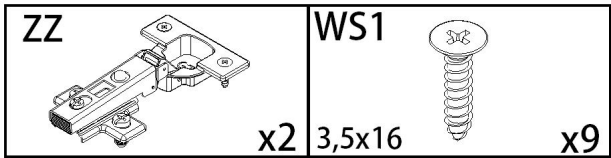


STEP 17

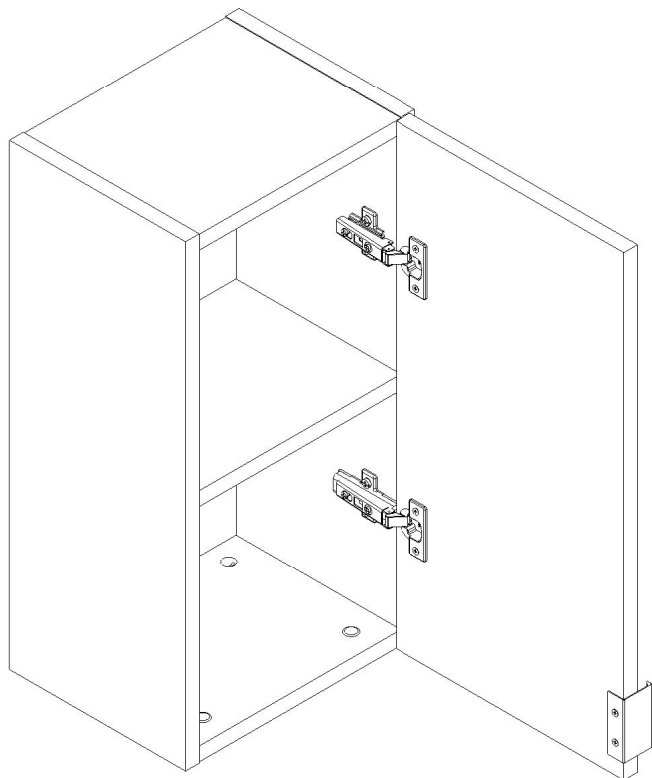


STEP 16

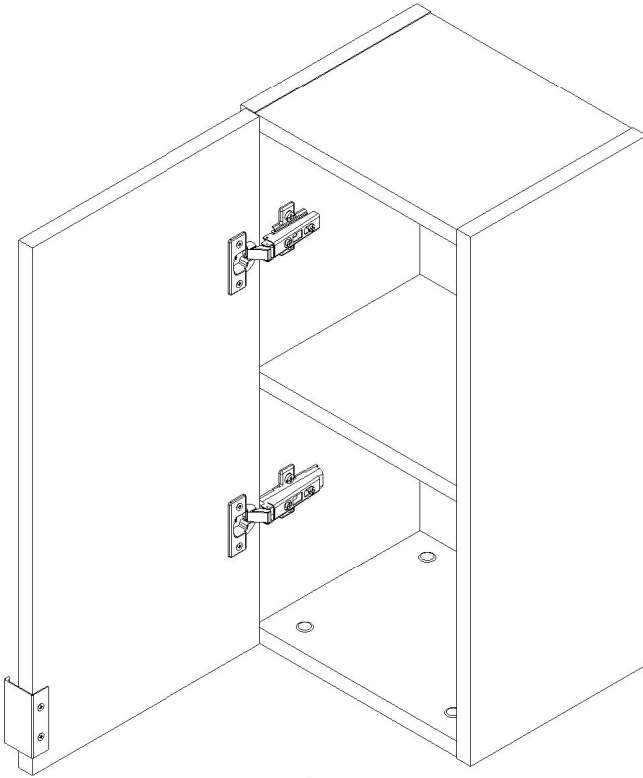




A



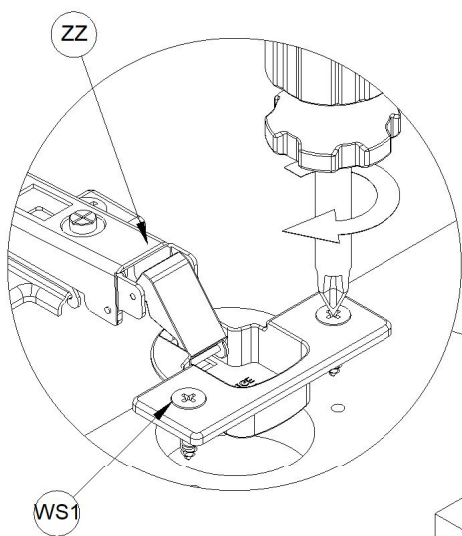
A1



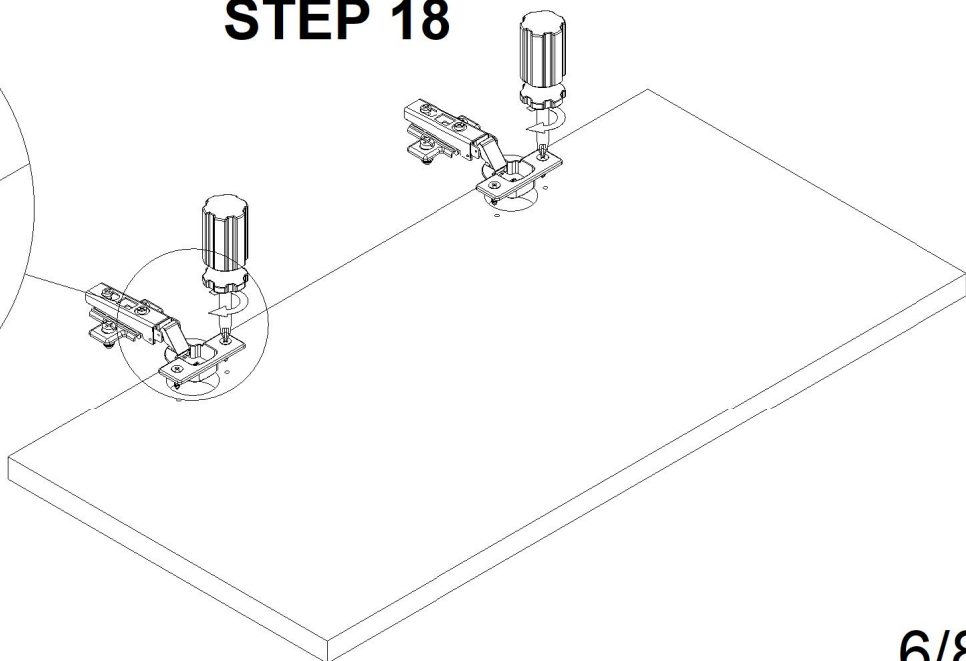
STEP 21

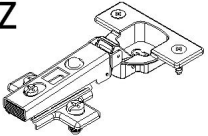

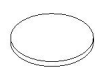




STEP 24

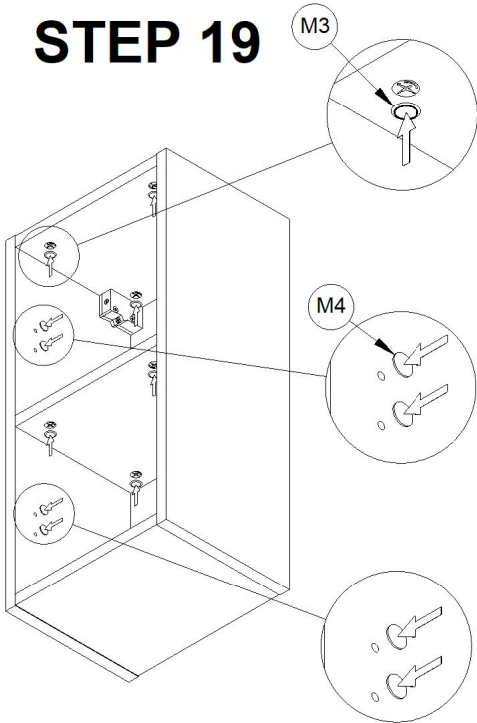


STEP 18

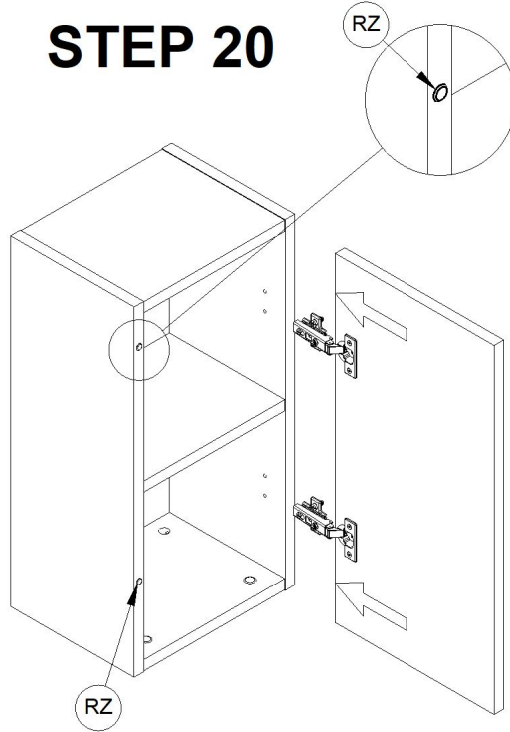


ZZ  x2	WS1  3,5x16 x9	M4  x2	RZ  x2	M3  x12
---	--	--	--	---

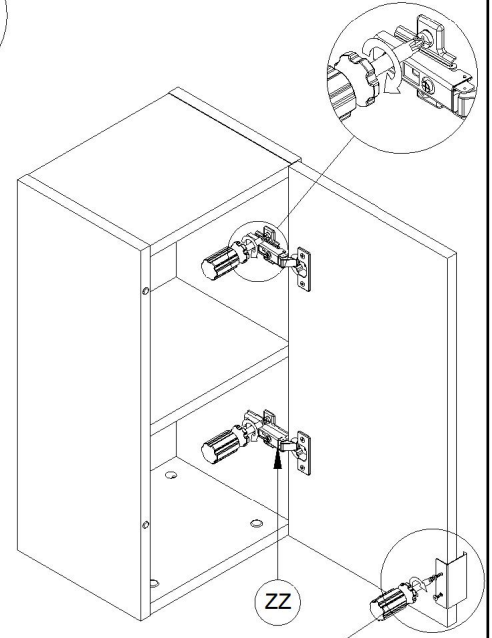
STEP 19



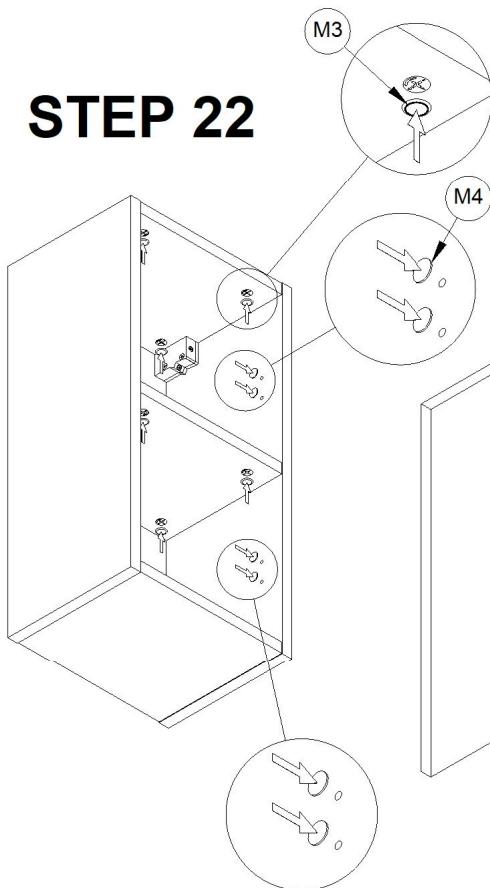
STEP 20



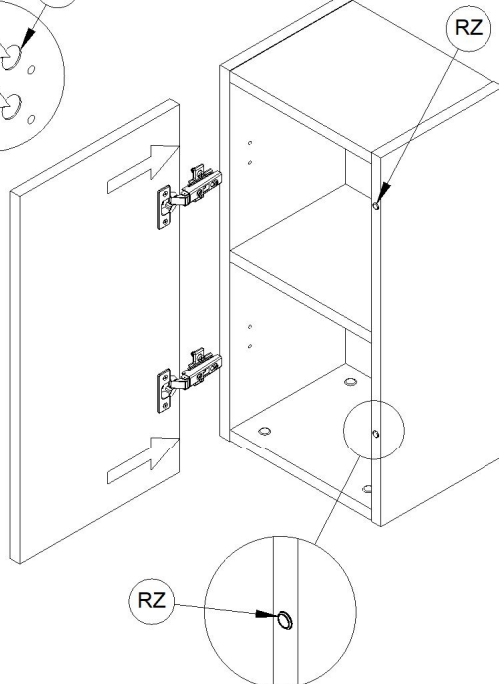
STEP 21



STEP 22



STEP 23



STEP 24

