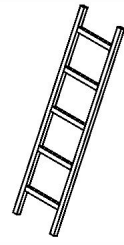
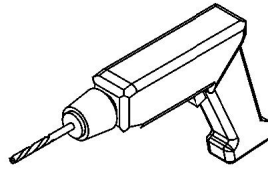
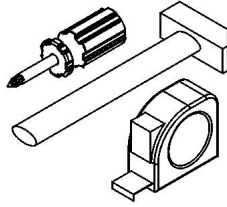
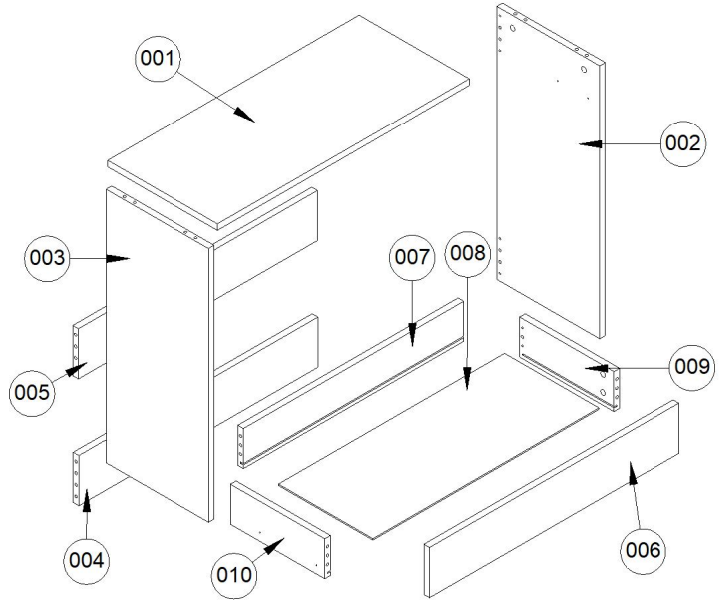
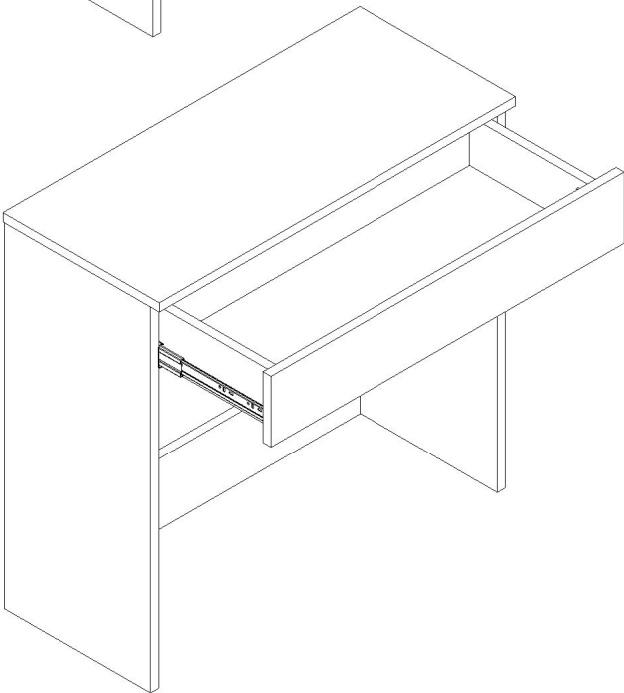
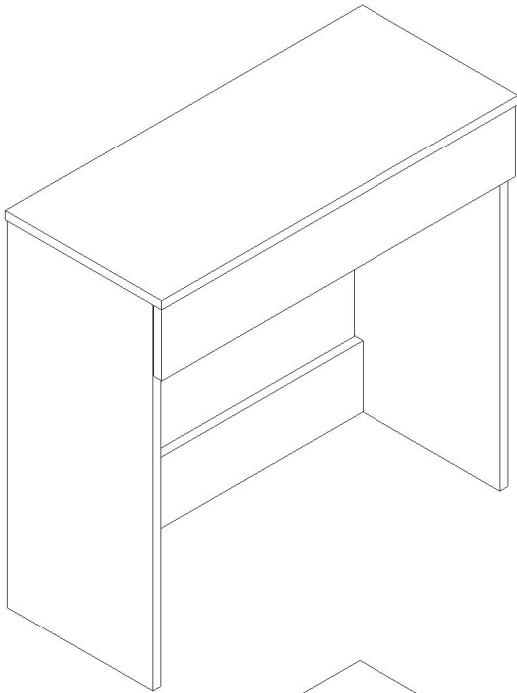


- 45 min.

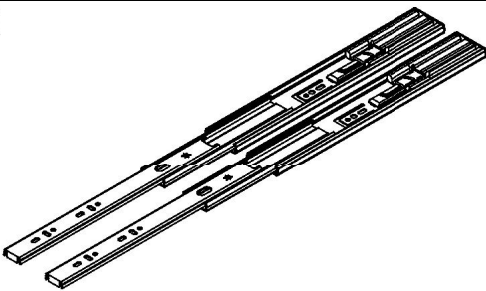


T80



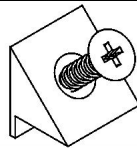
| Number | Qty | Size A | Size B |
|--------|-----|--------|--------|
| 001 | 1 | 800 | 350 |
| 002 | 1 | 752 | 327 |
| 003 | 1 | 752 | 327 |
| 004 | 1 | 138 | 761 |
| 005 | 1 | 138 | 761 |
| 006 | 1 | 138 | 793 |
| 007 | 1 | 110 | 700 |
| 008 | 1 | 718 | 300 |
| 009 | 1 | 110 | 300 |
| 010 | 1 | 110 | 300 |

PK



x2 3,5x16

ST1



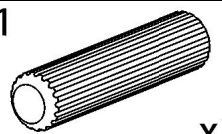
x4

M3



x20

K1



x16

WS1



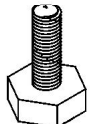
x12

M1



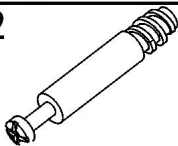
x20

M6



x4

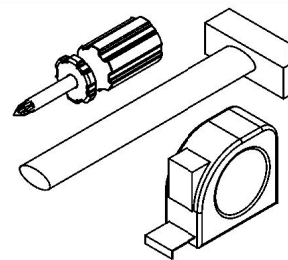
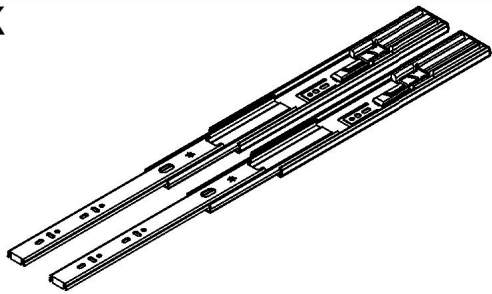
M2



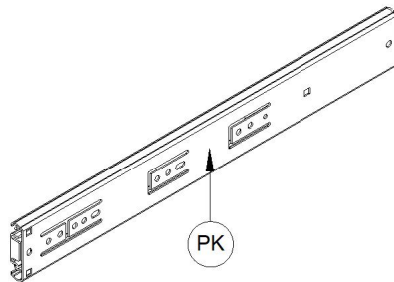
x20

1/9

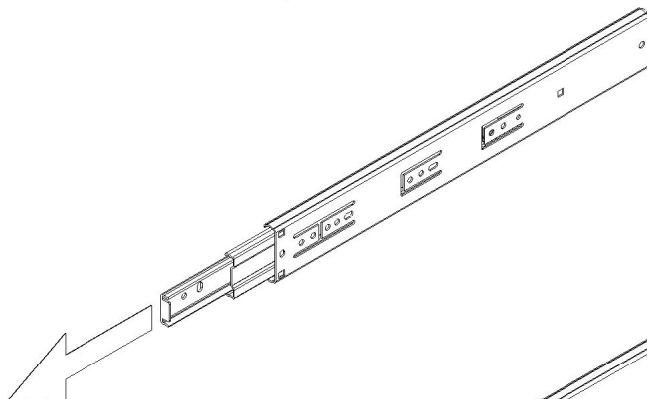
PK



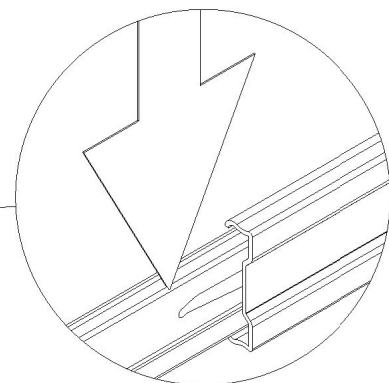
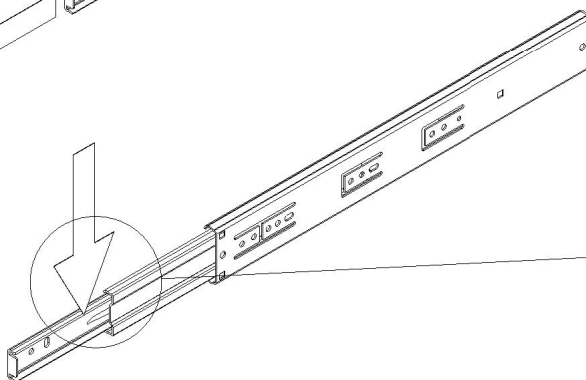
STEP 1



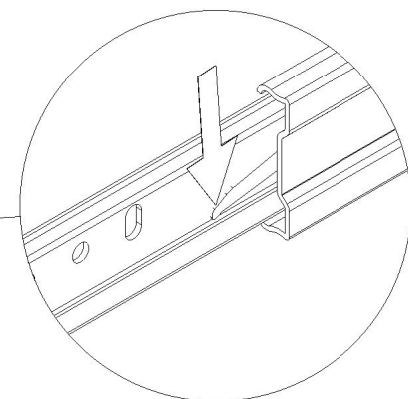
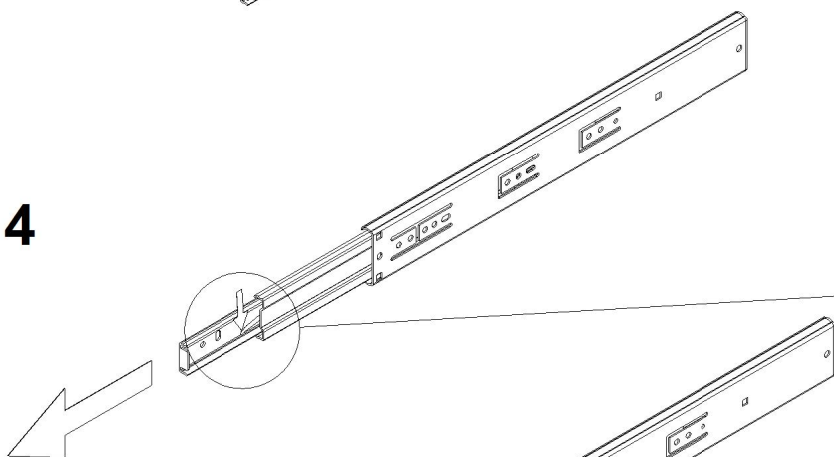
STEP 2



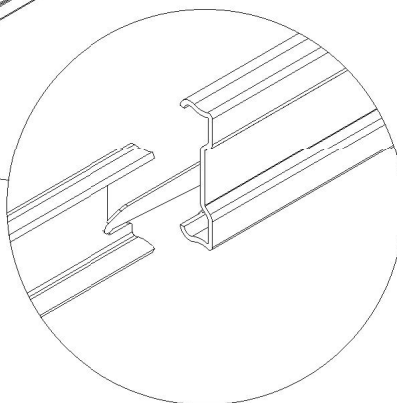
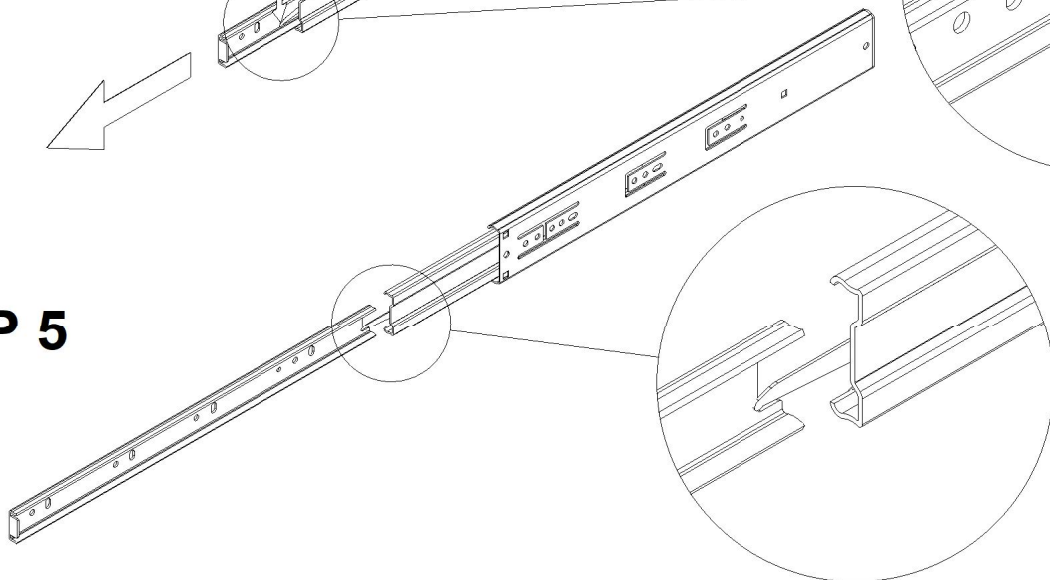
STEP 3

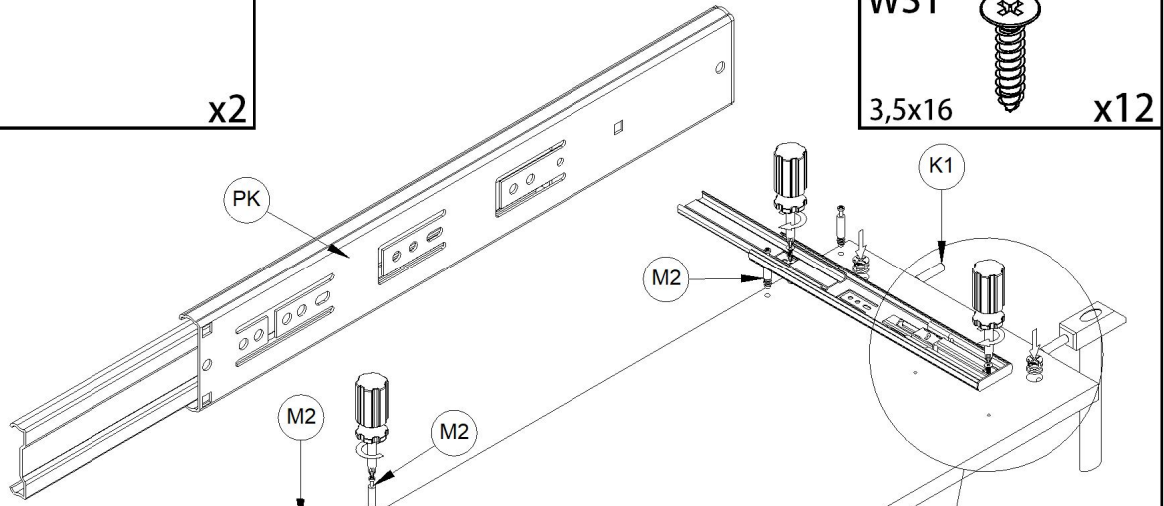
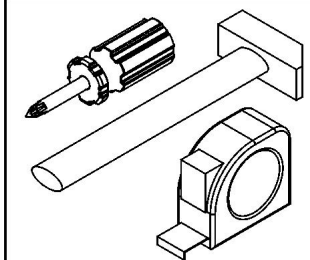
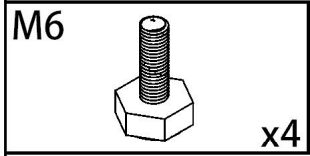
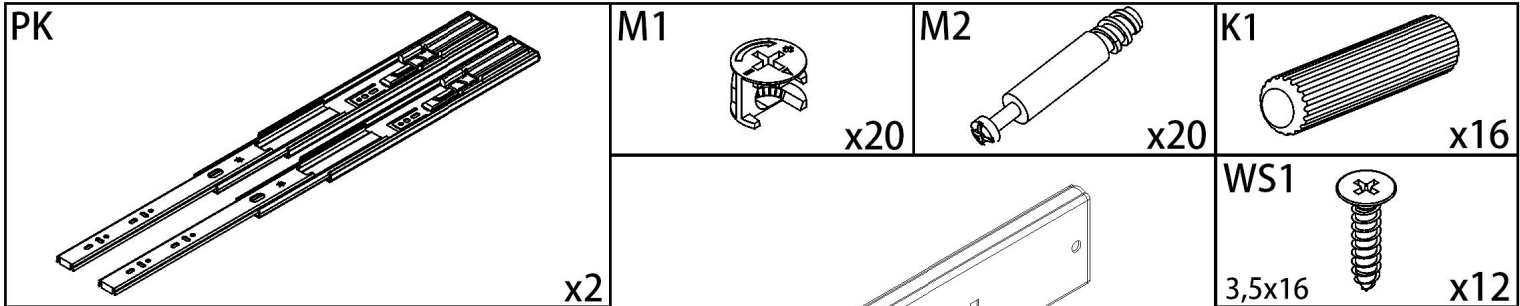


STEP 4



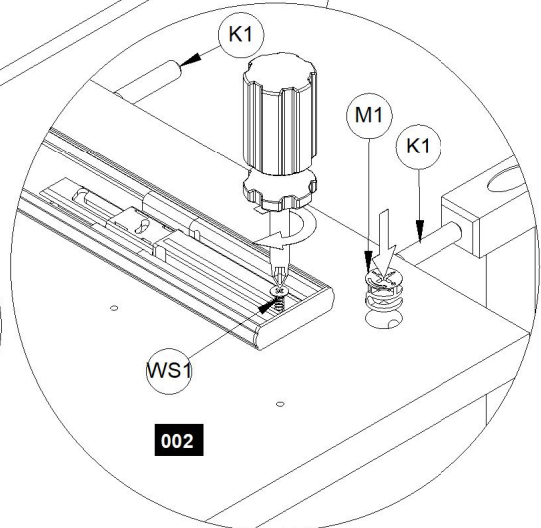
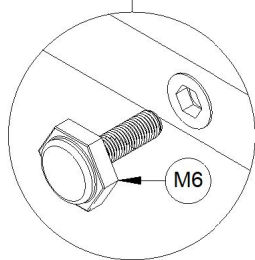
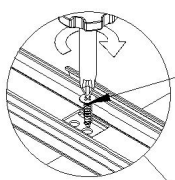
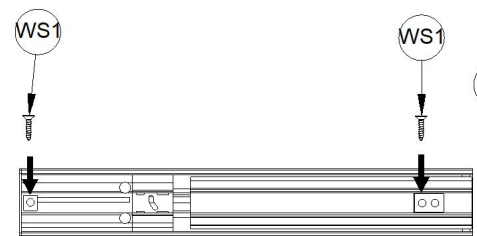
STEP 5





STEP 6

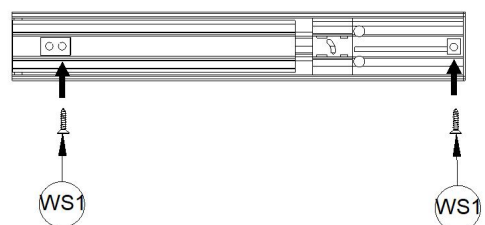
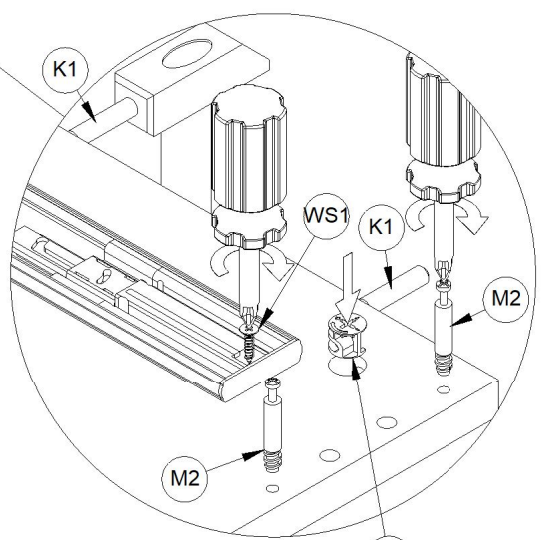
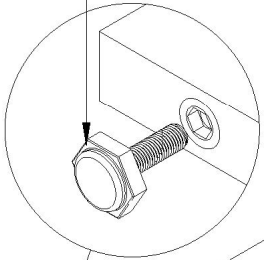
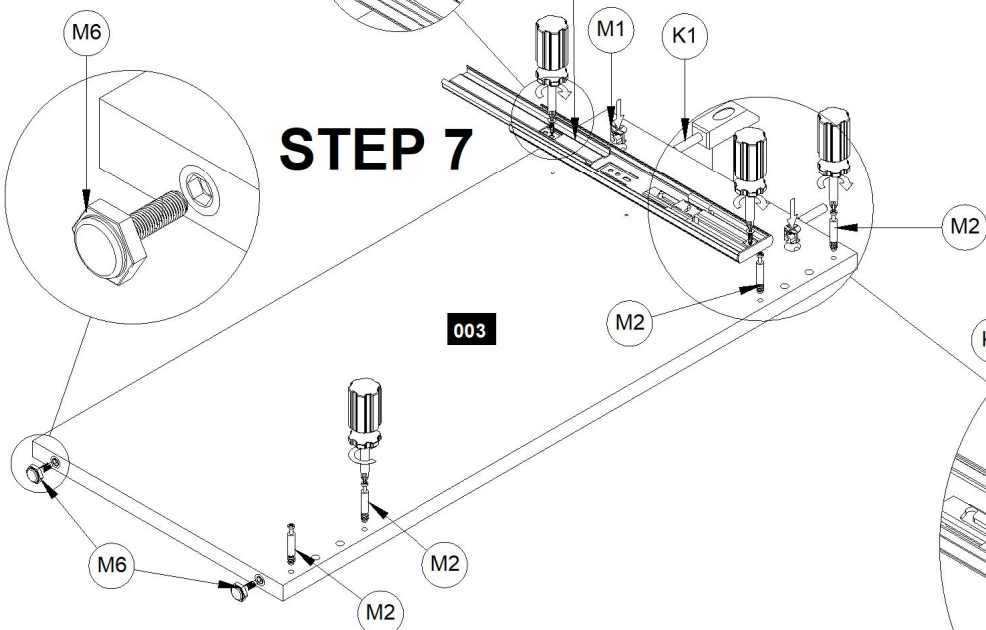
002

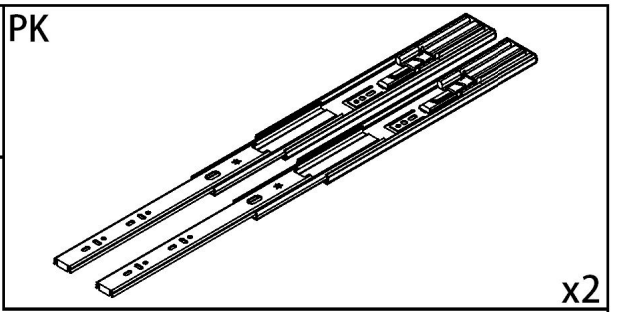
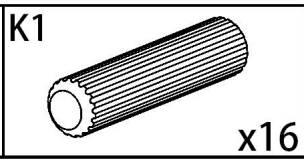
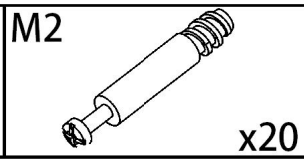
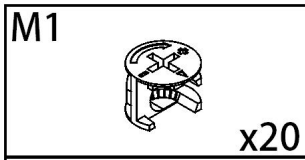


002

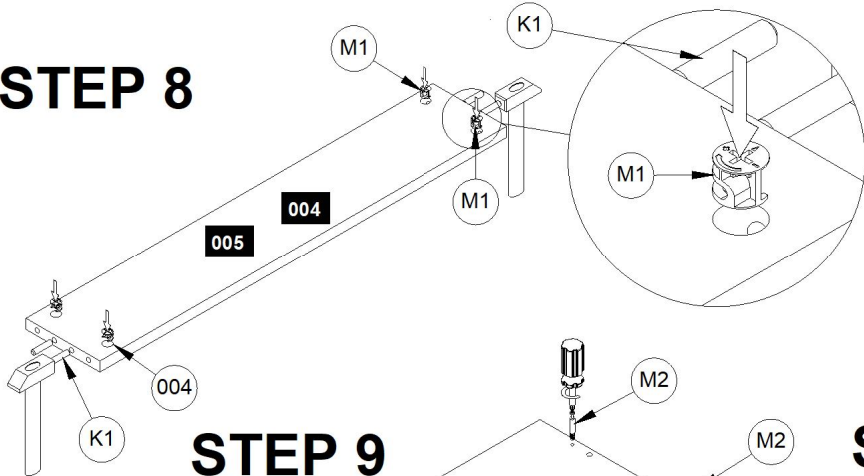
STEP 7

003

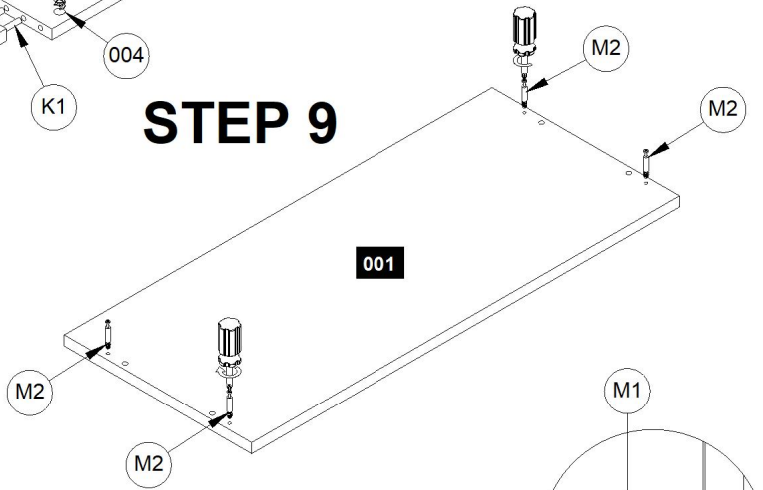




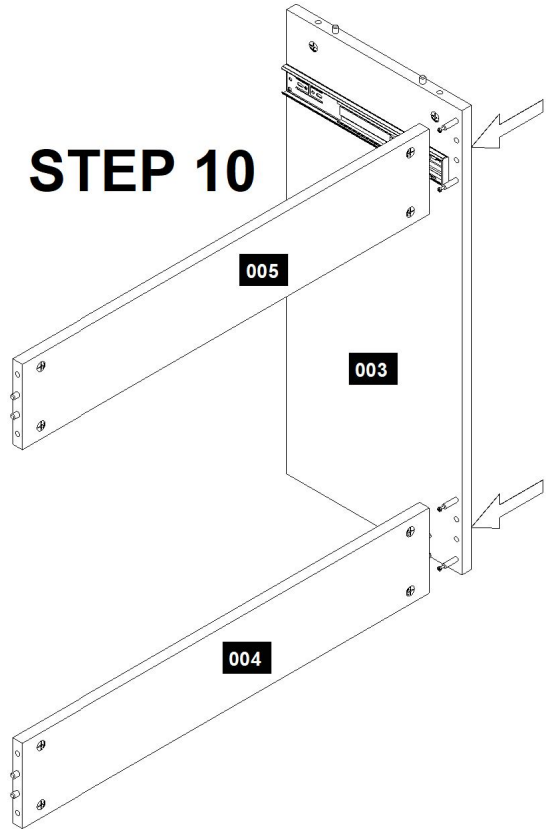
STEP 8



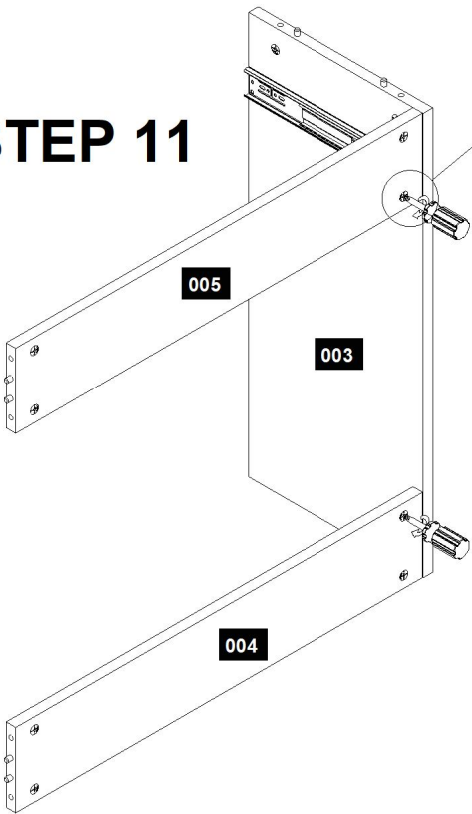
STEP 9



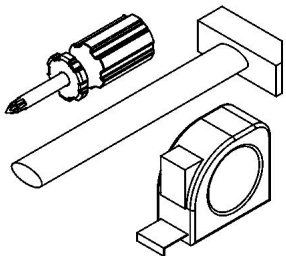
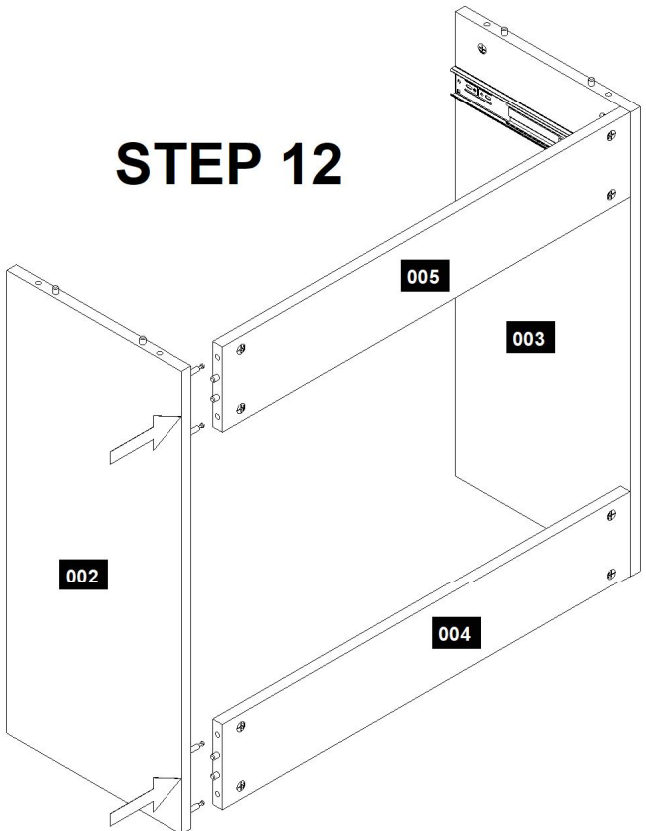
STEP 10

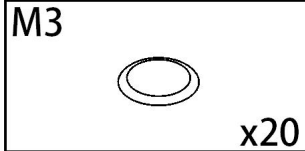
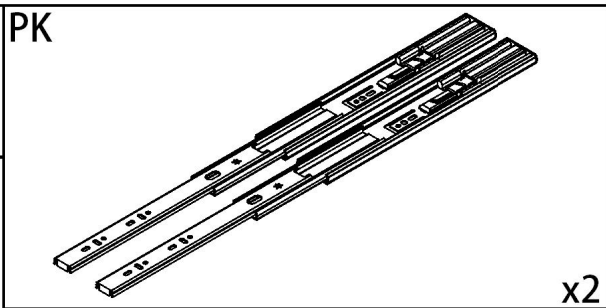
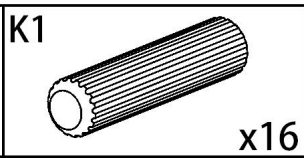
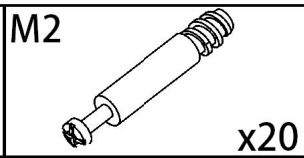
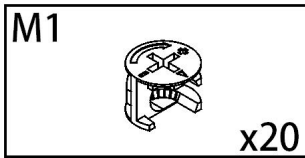


STEP 11

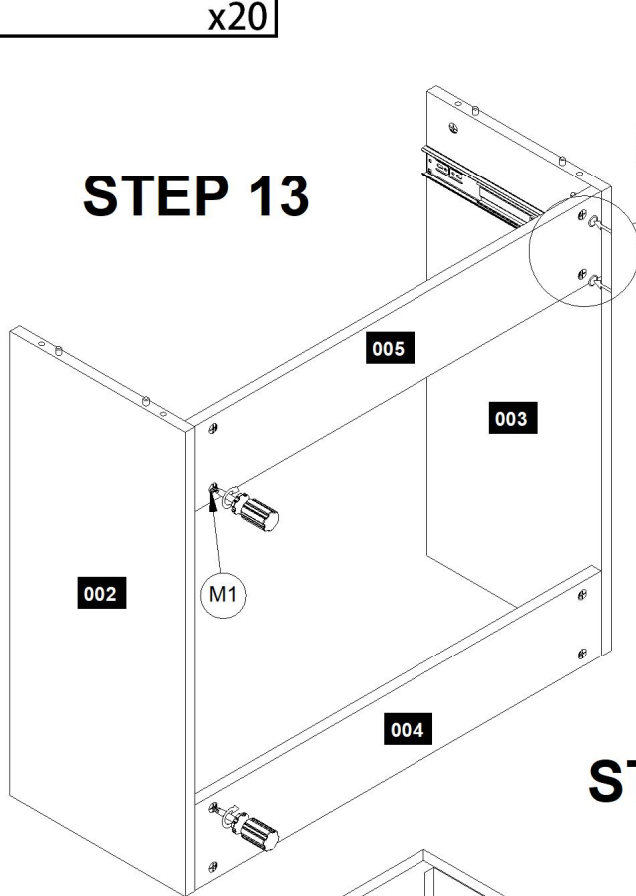


STEP 12

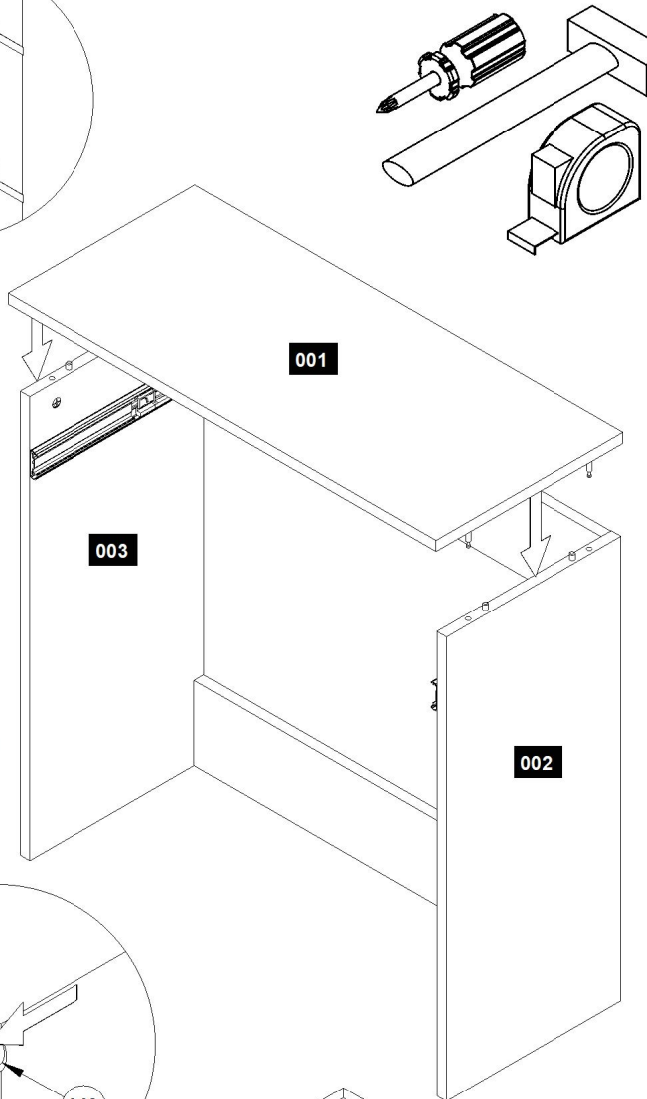




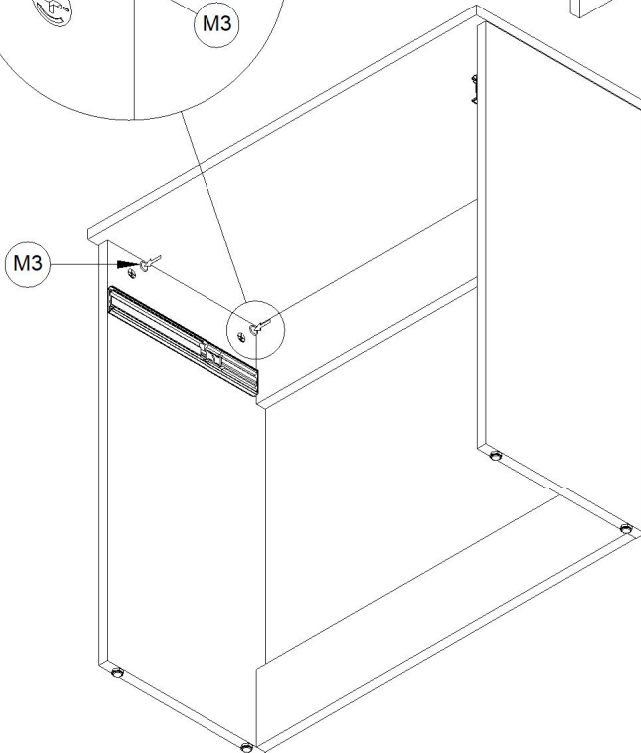
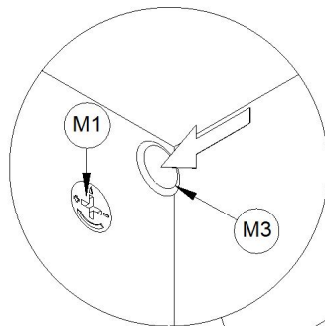
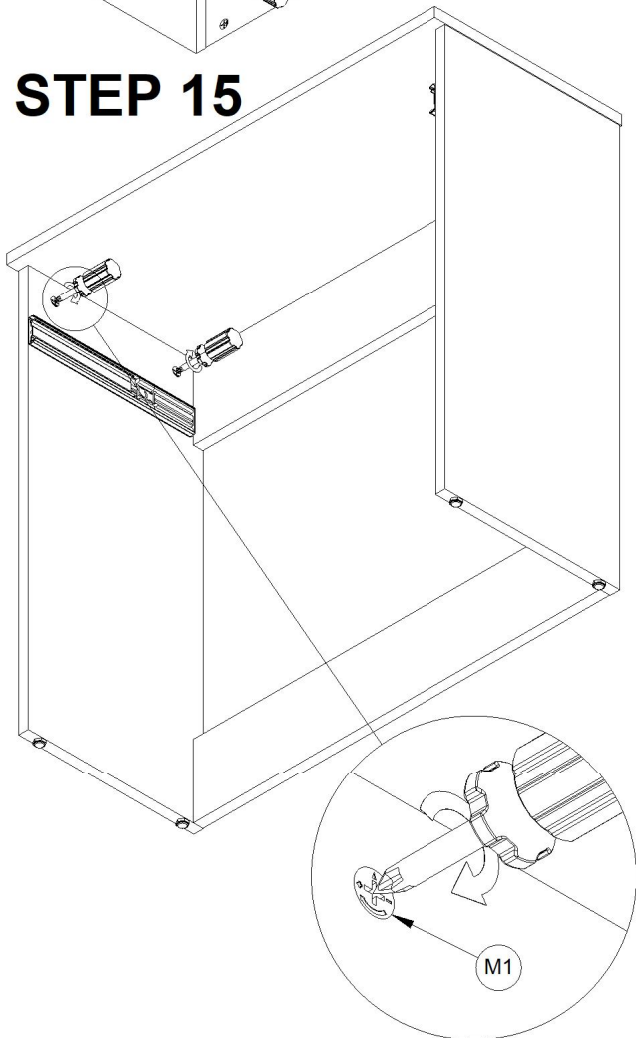
STEP 13

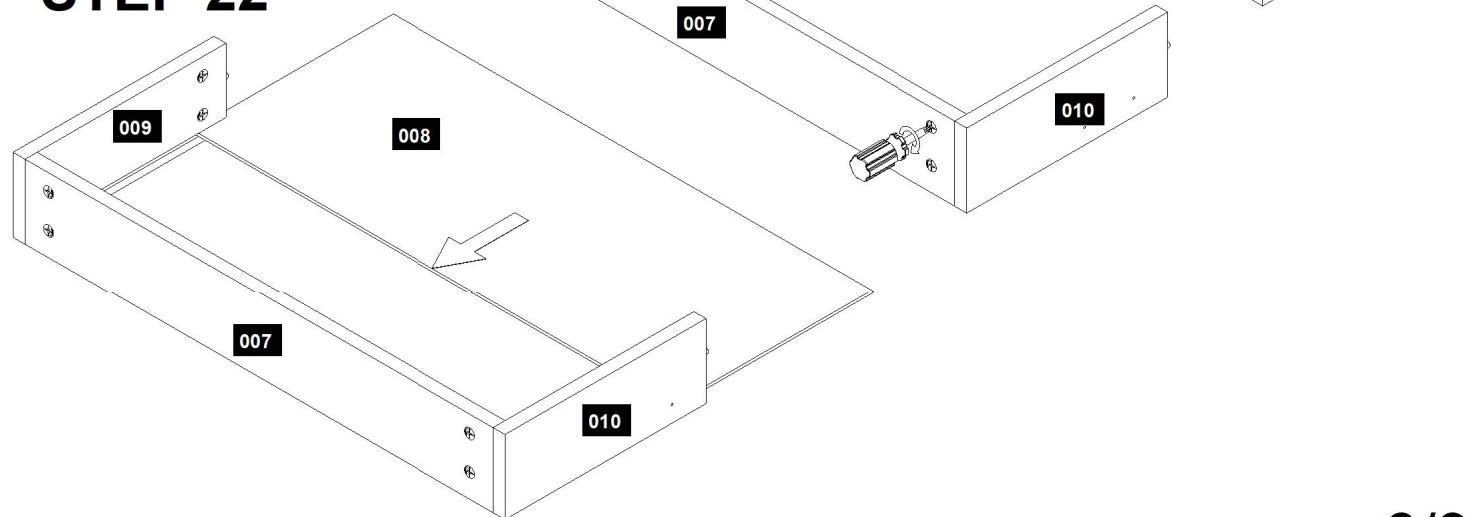
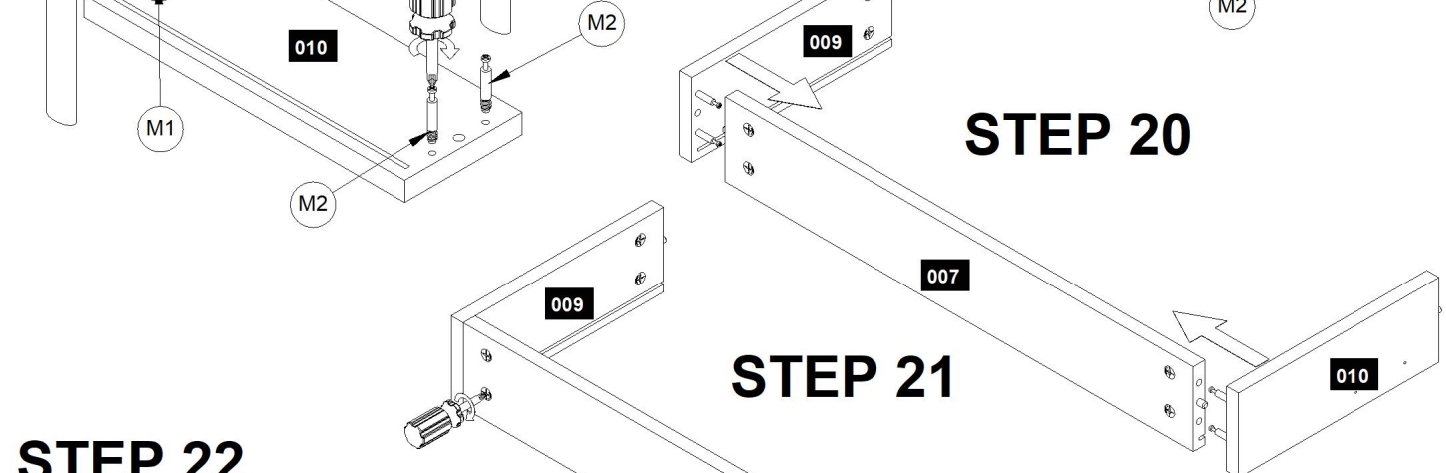
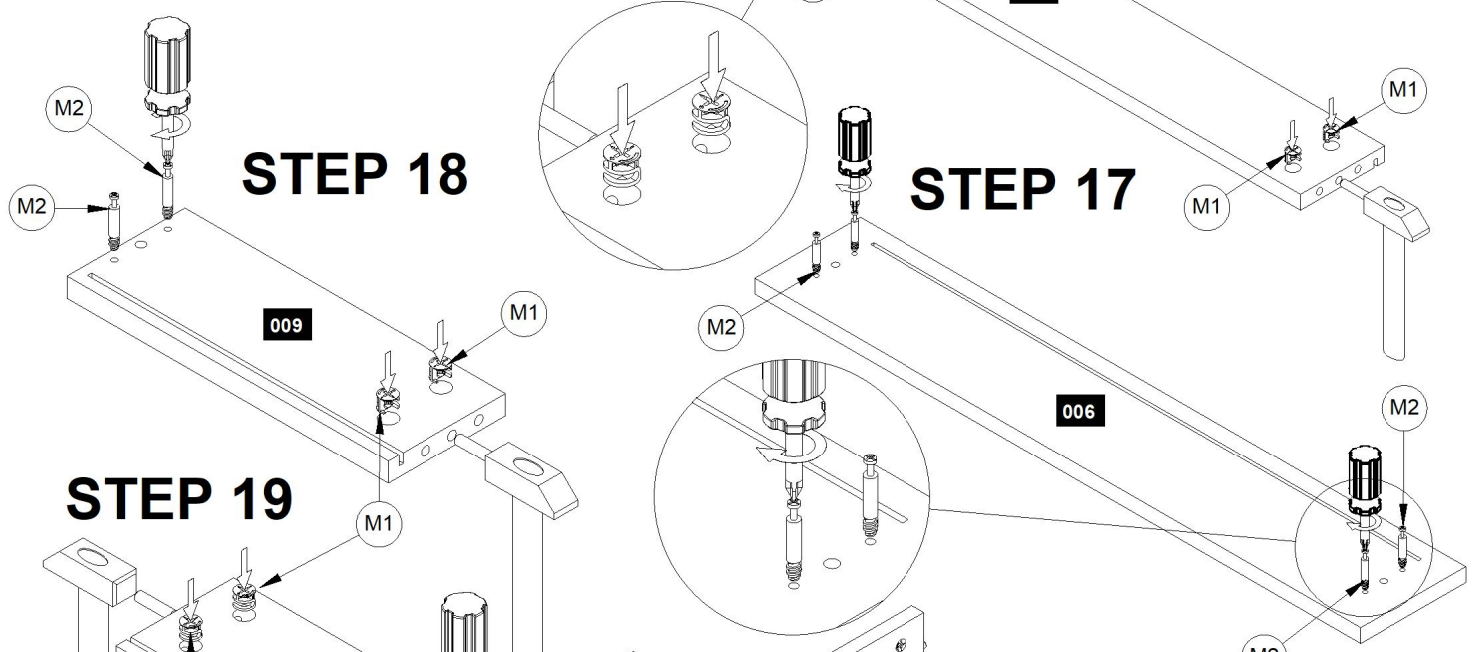
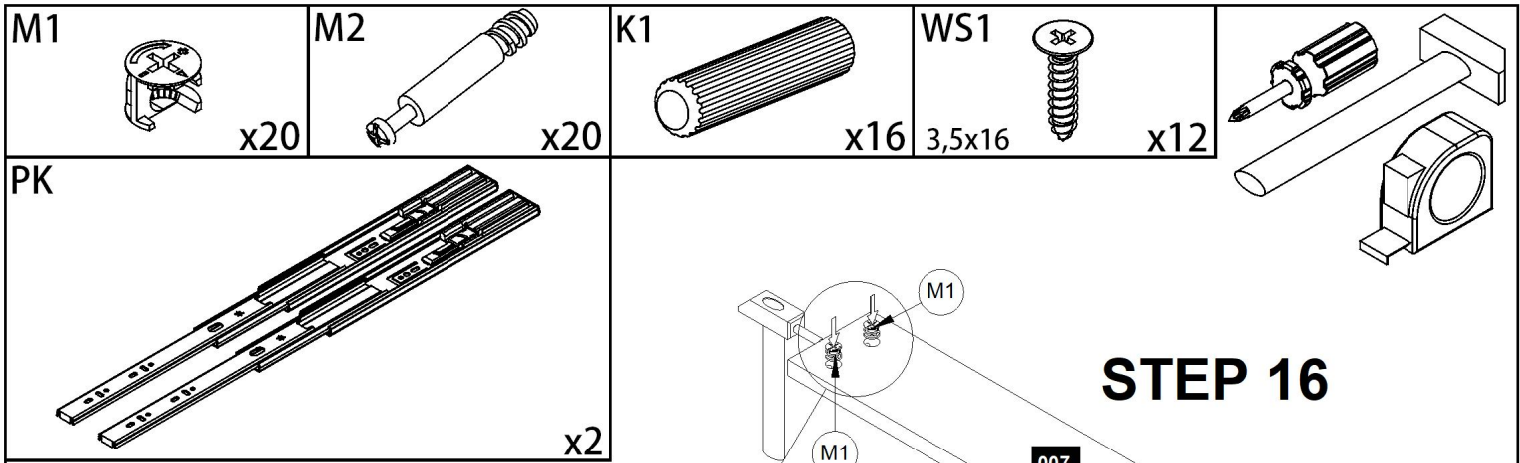


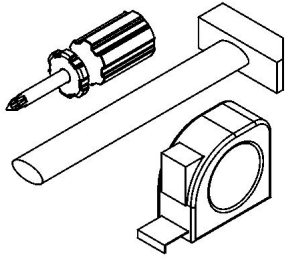
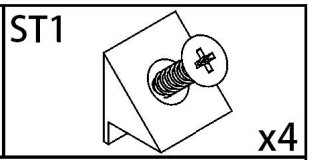
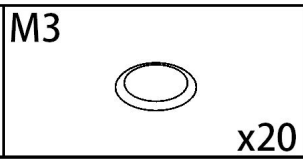
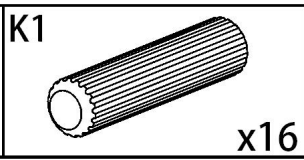
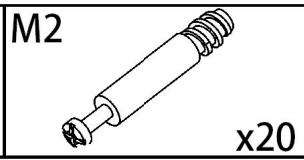
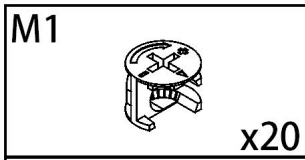
STEP 14



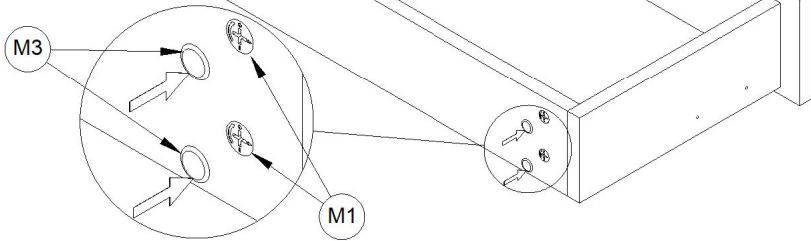
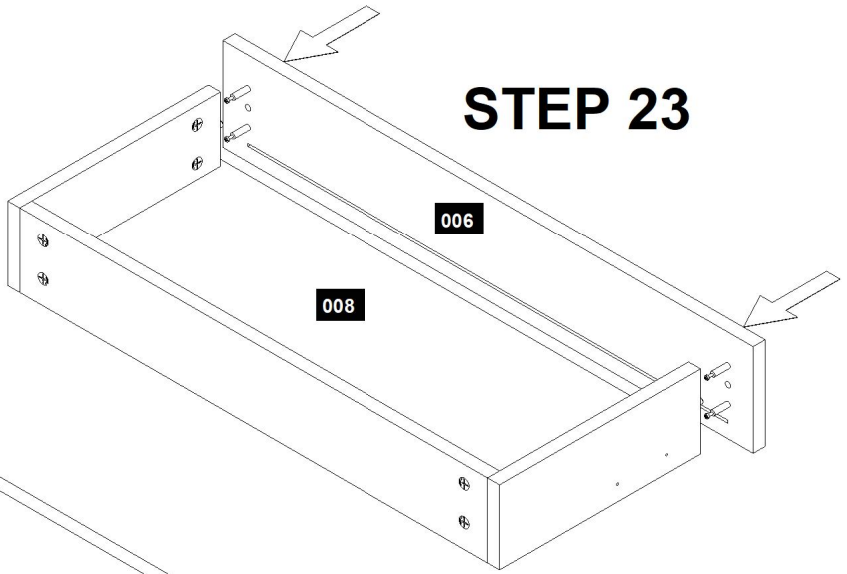
STEP 15



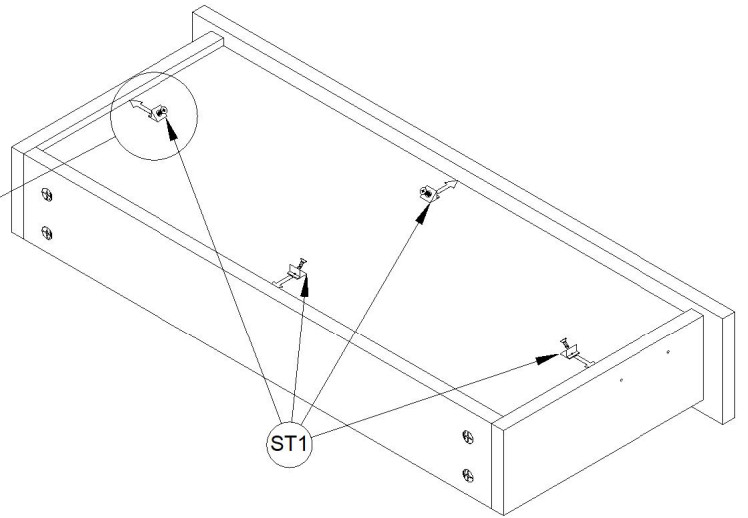




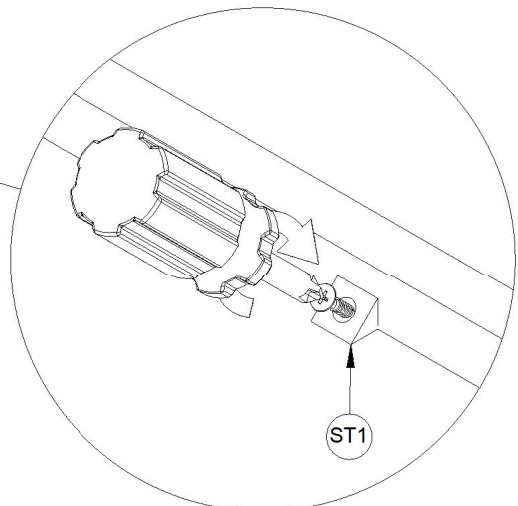
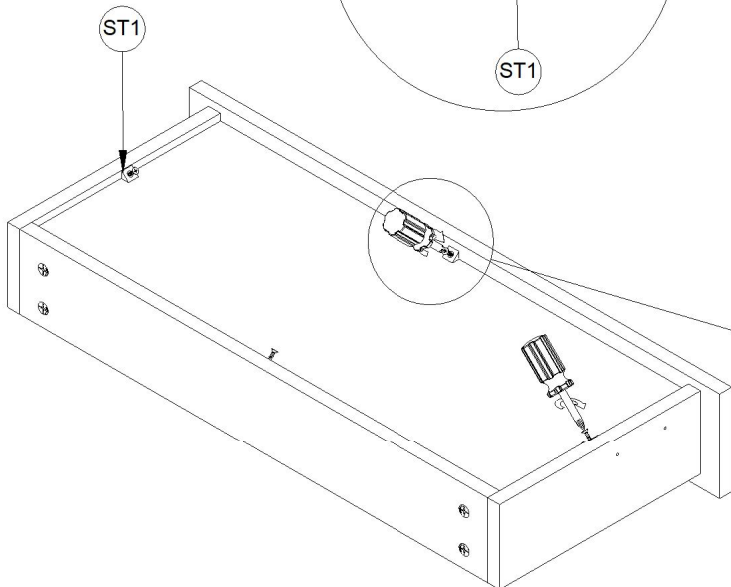
STEP 24



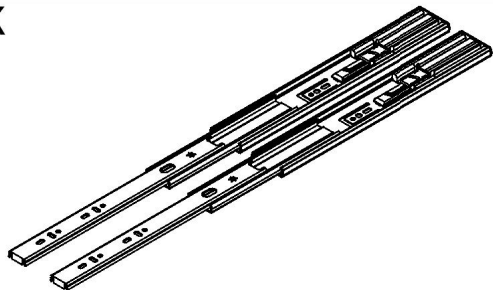
STEP 25 180°



STEP 26



PK



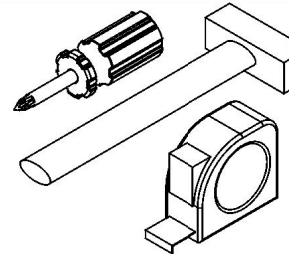
x2

WS1

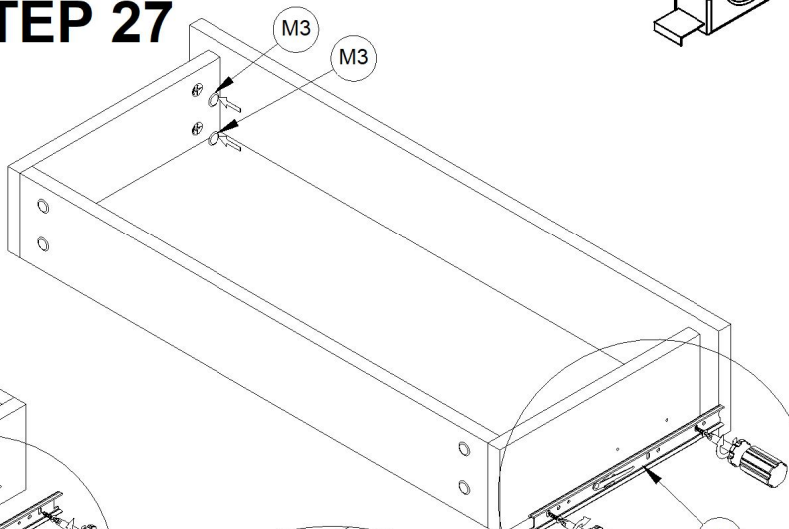
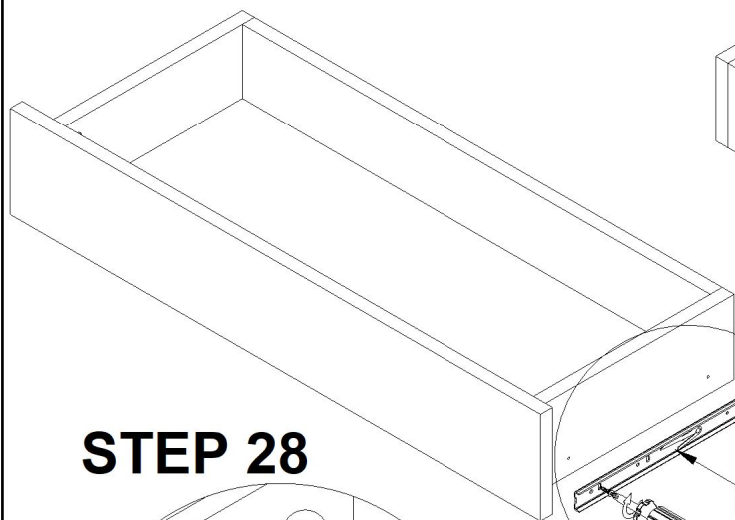


3,5x16

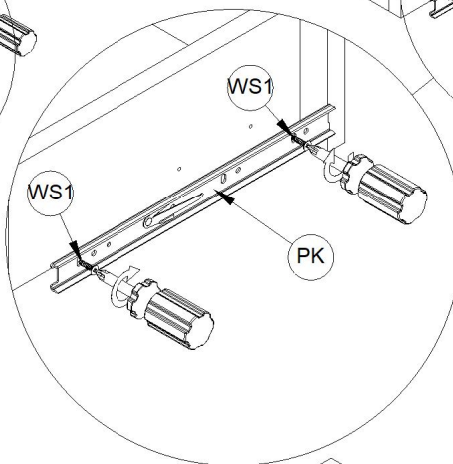
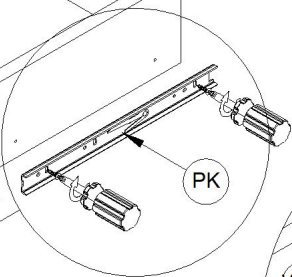
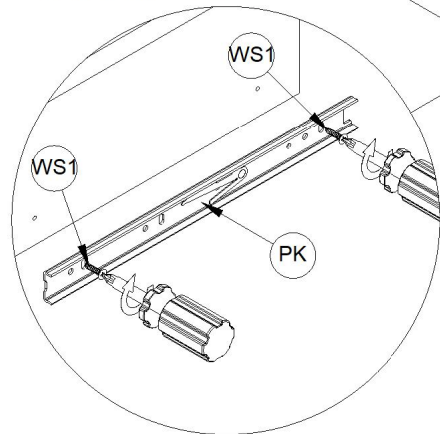
x12



STEP 27

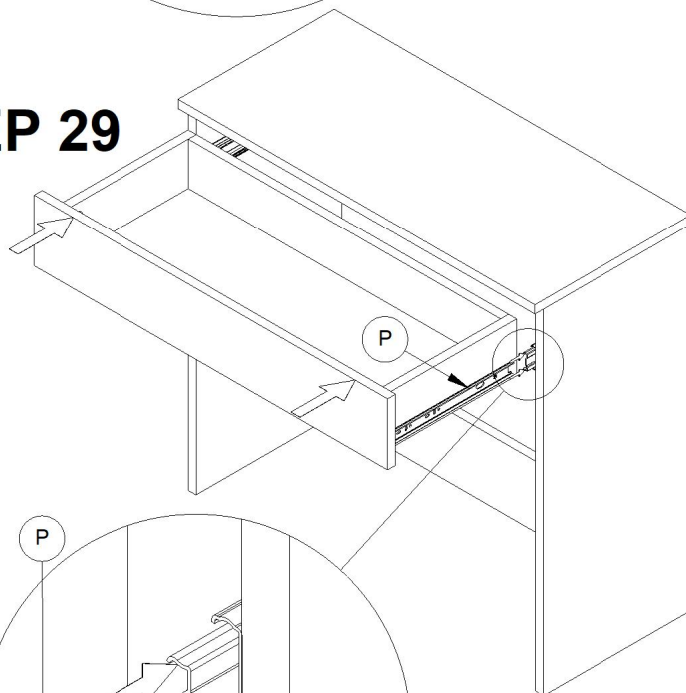
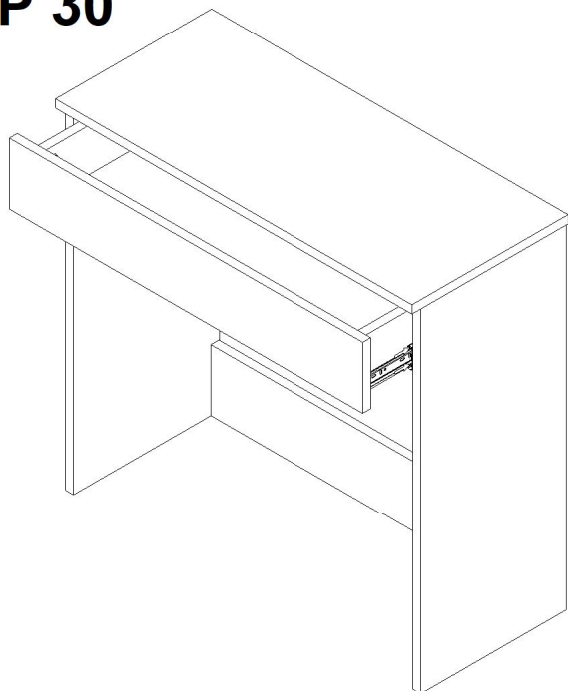


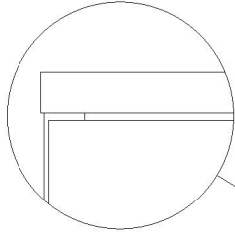
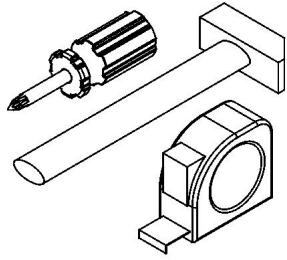
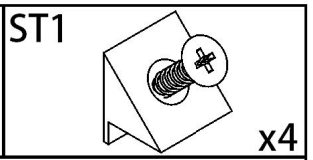
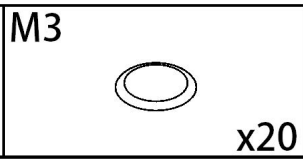
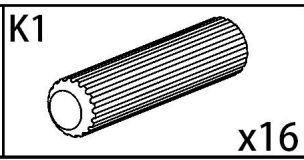
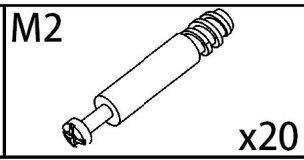
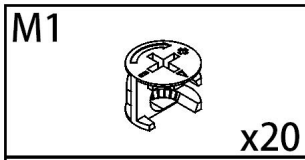
STEP 28



STEP 29

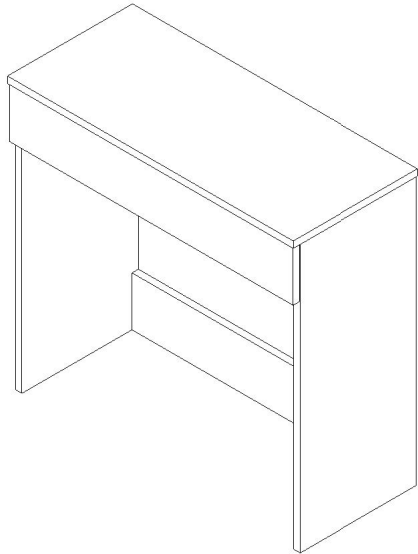
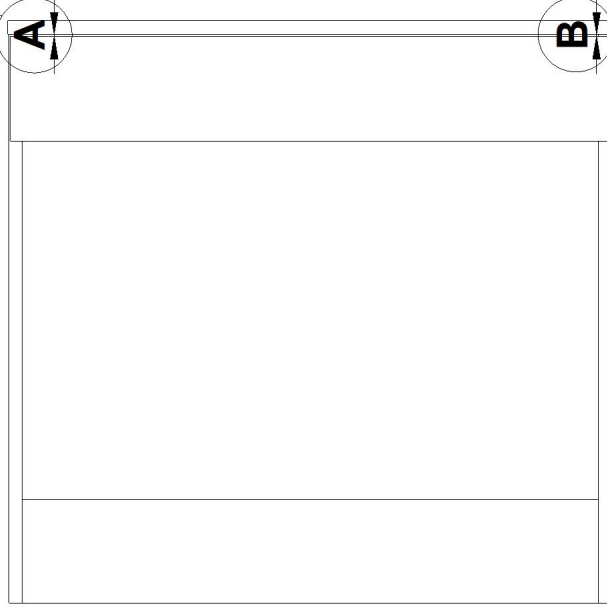
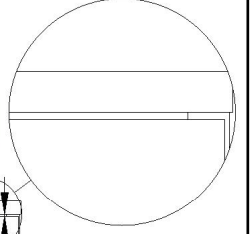
STEP 30



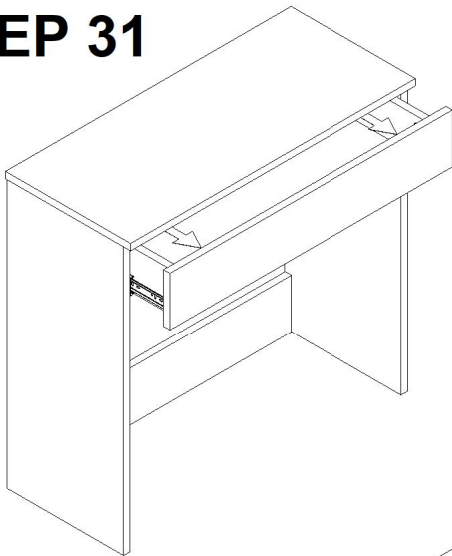


A=B → OK!

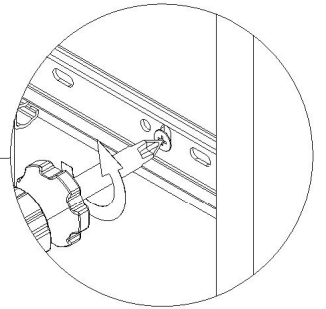
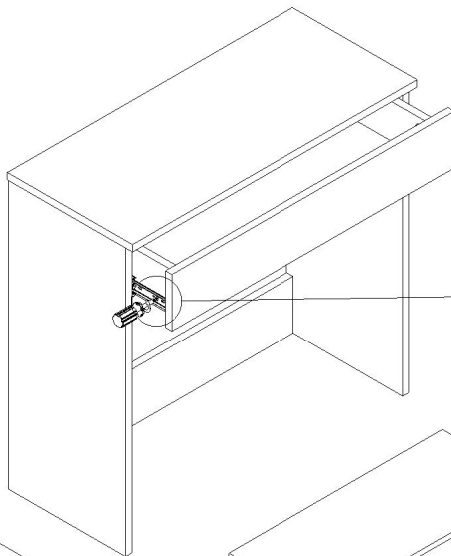
A≠B → STEP 31



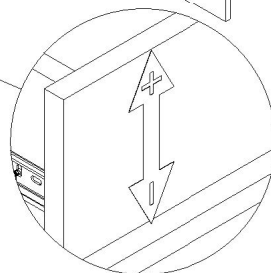
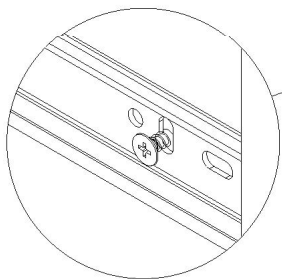
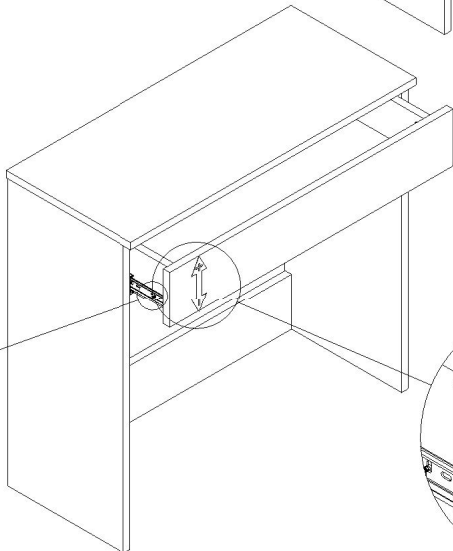
STEP 31



STEP 32



STEP 33



STEP 34

