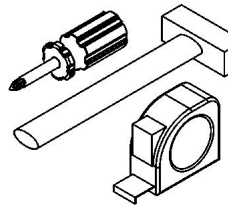
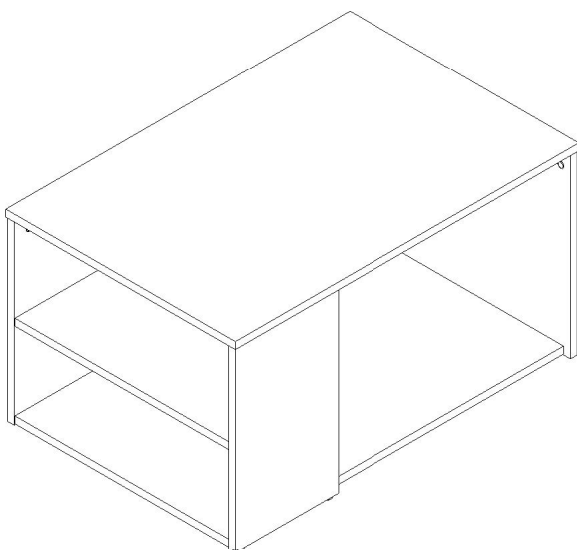
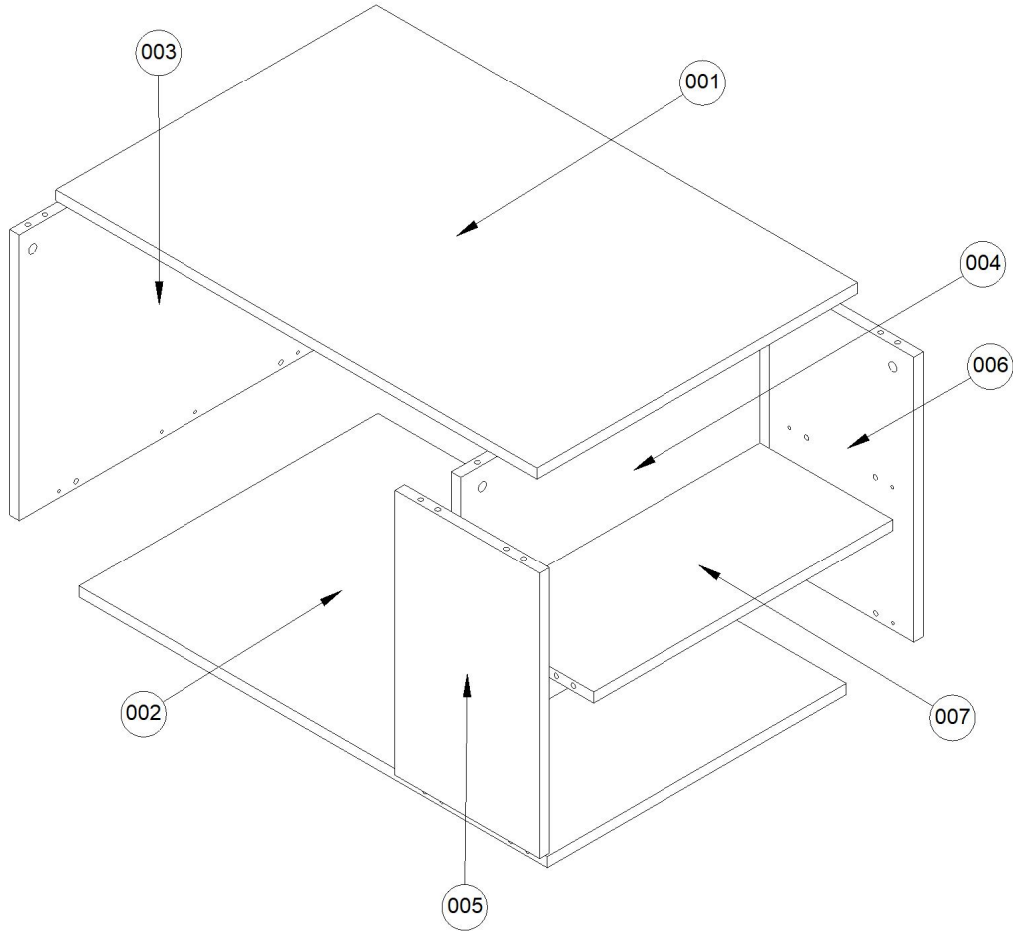




- 60 min.

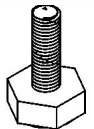


# LUNA S90



Number	Qty	Size A	Size B
001	1	900	600
002	1	876	560
003	1	462	596
004	1	442	560
005	1	462	270
006	1	462	270
007	1	560	248

M6



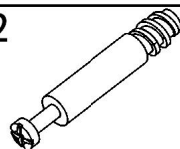
x6

M1



x32

M2



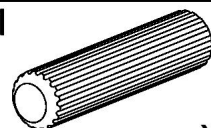
x32

M3



x32

K1



x22

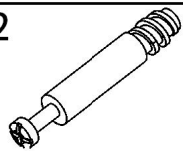
1/8

M1



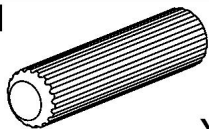
x32

M2

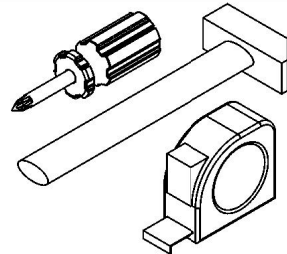


x32

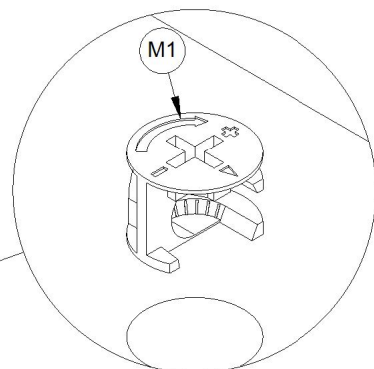
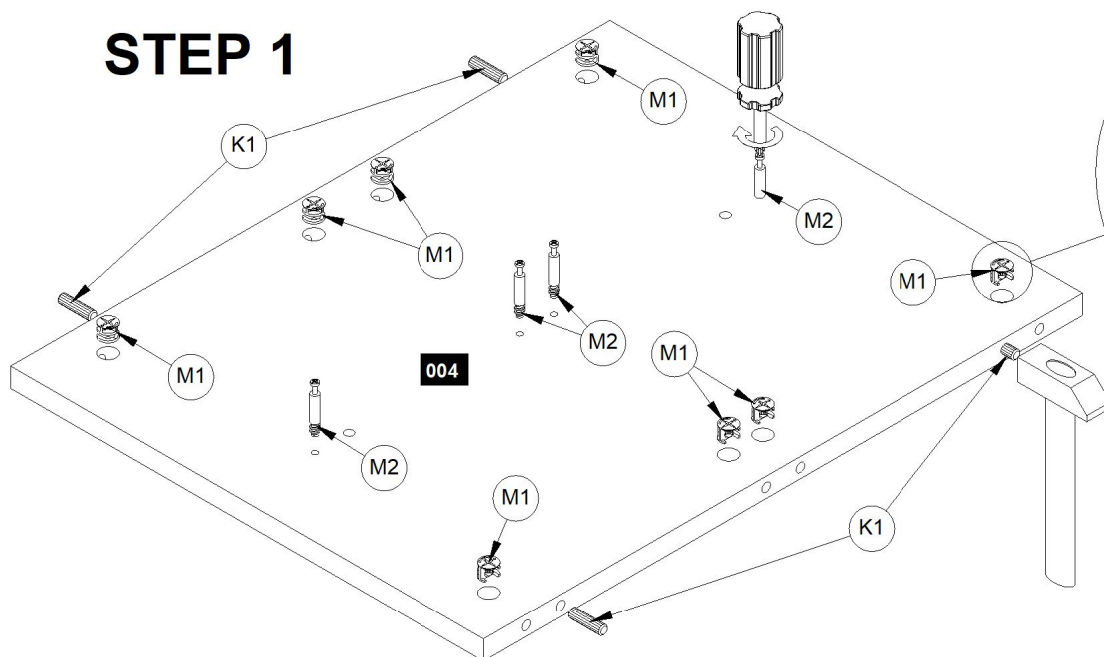
K1



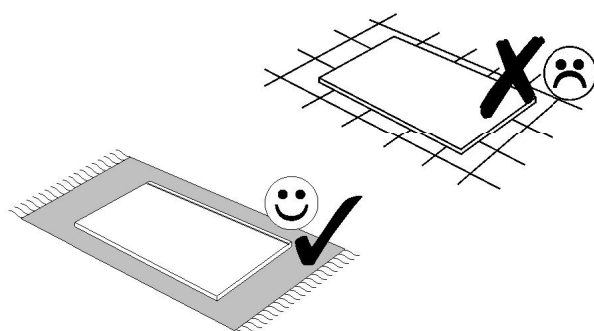
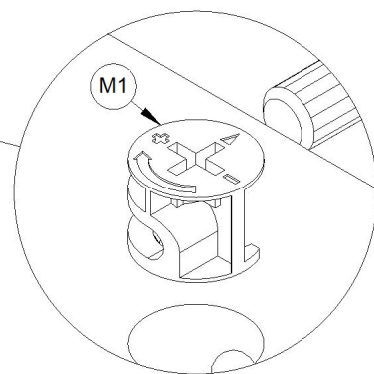
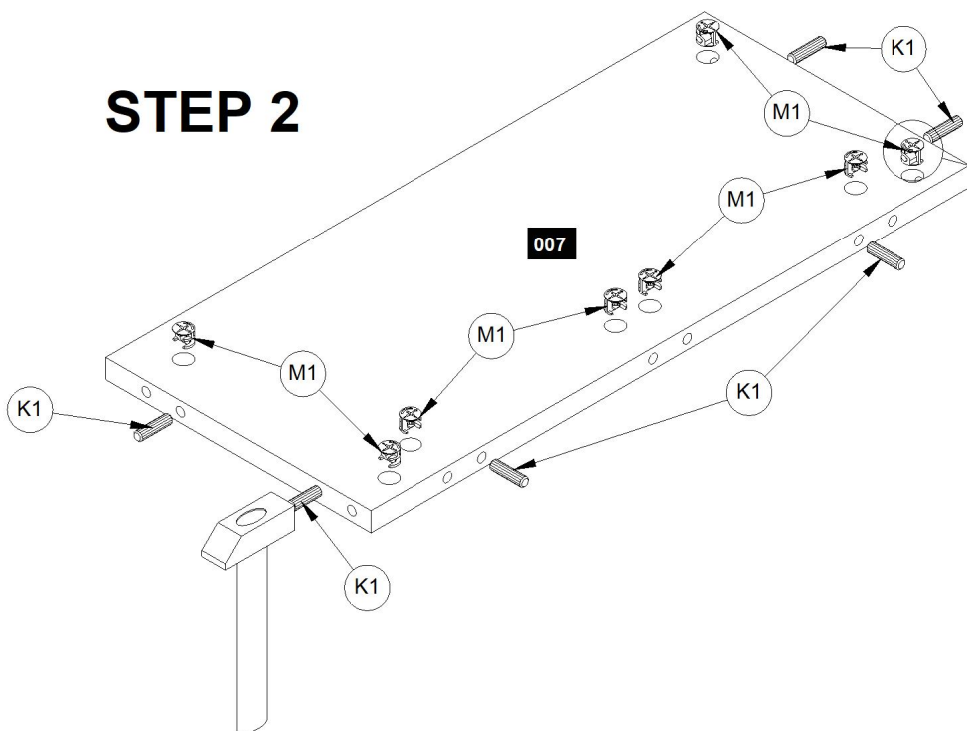
x22



# STEP 1



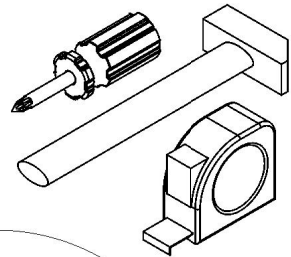
# STEP 2



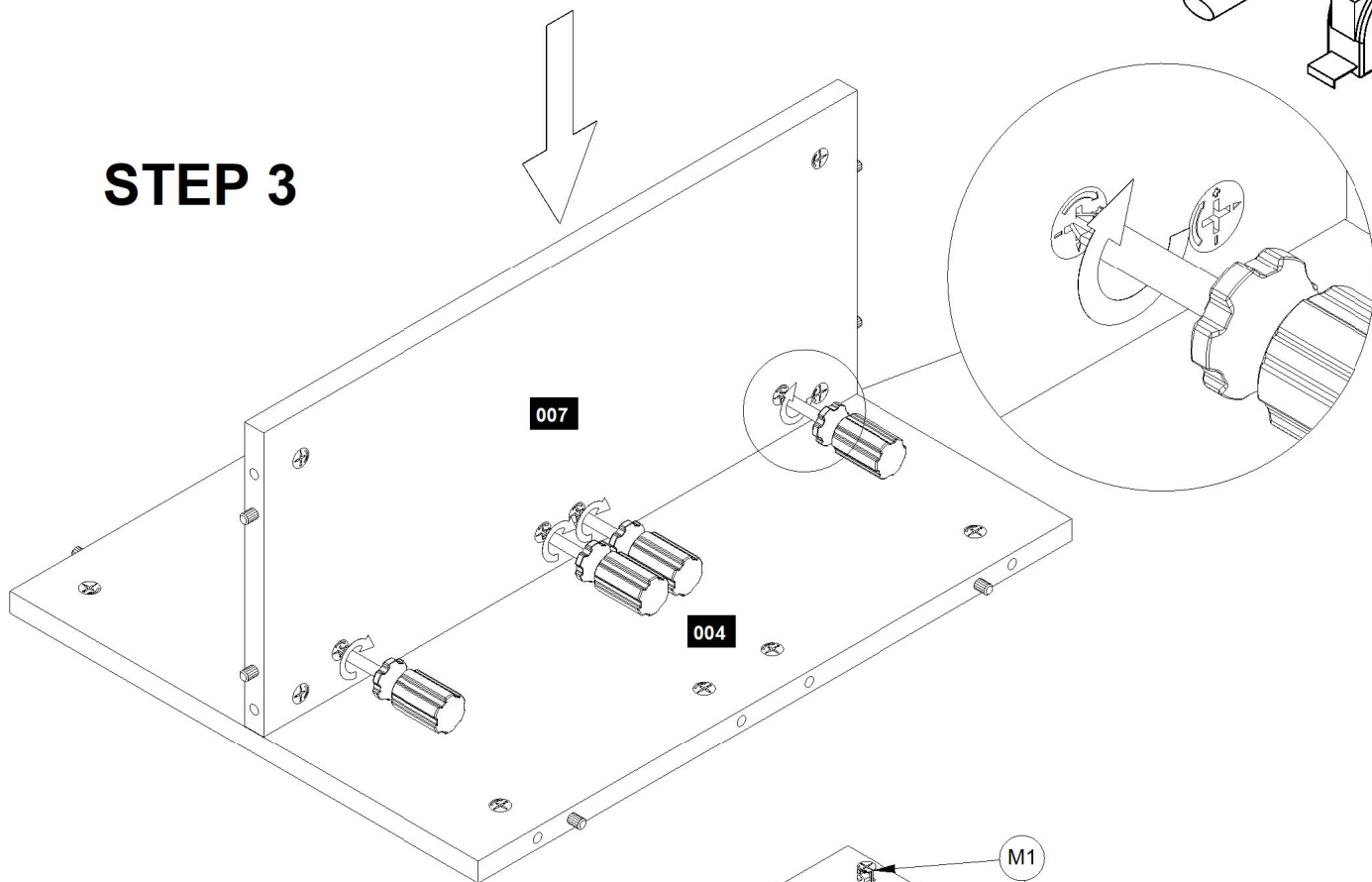
M1



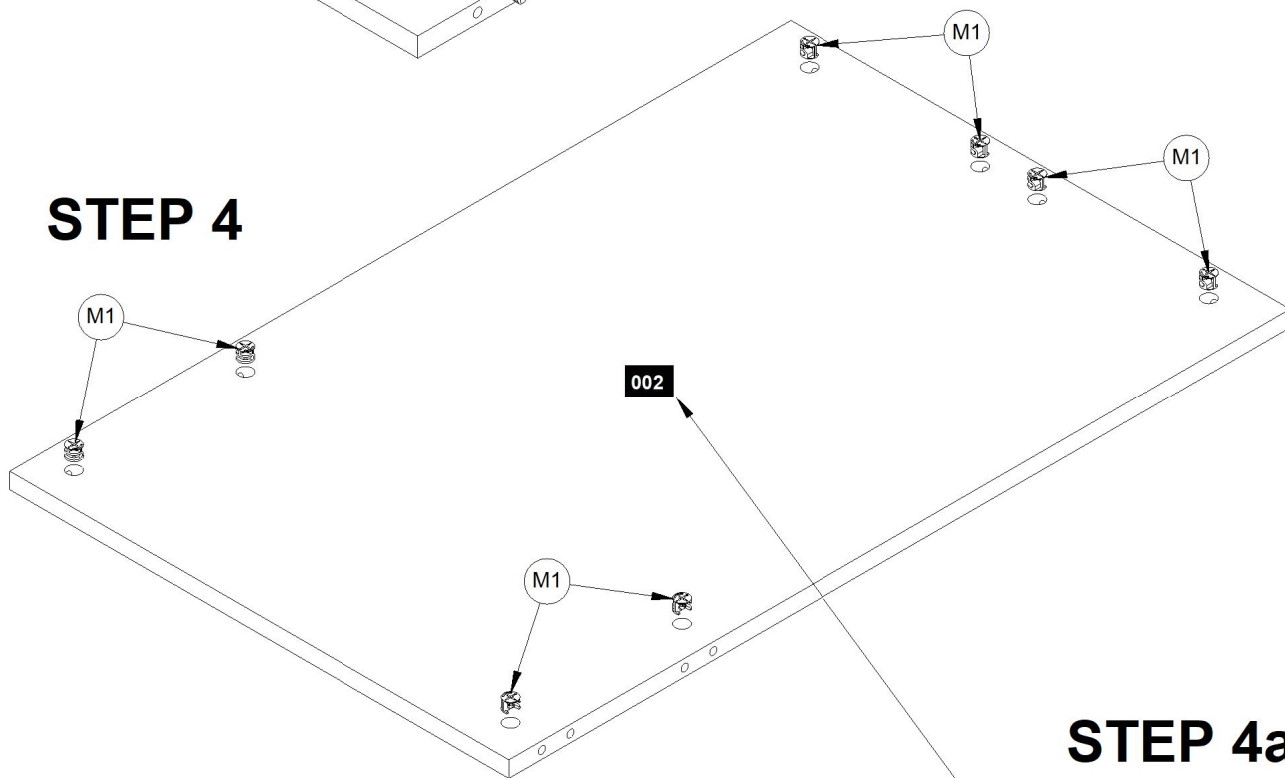
x32



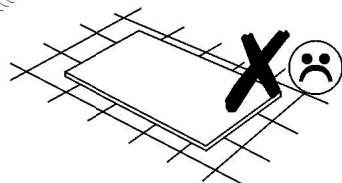
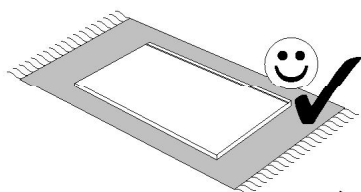
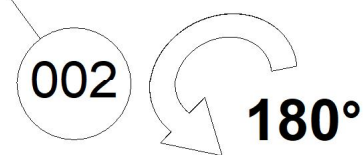
### STEP 3

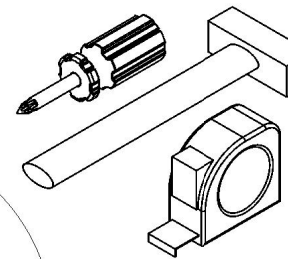
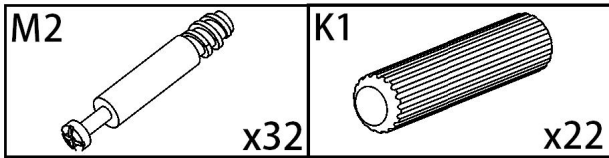


### STEP 4

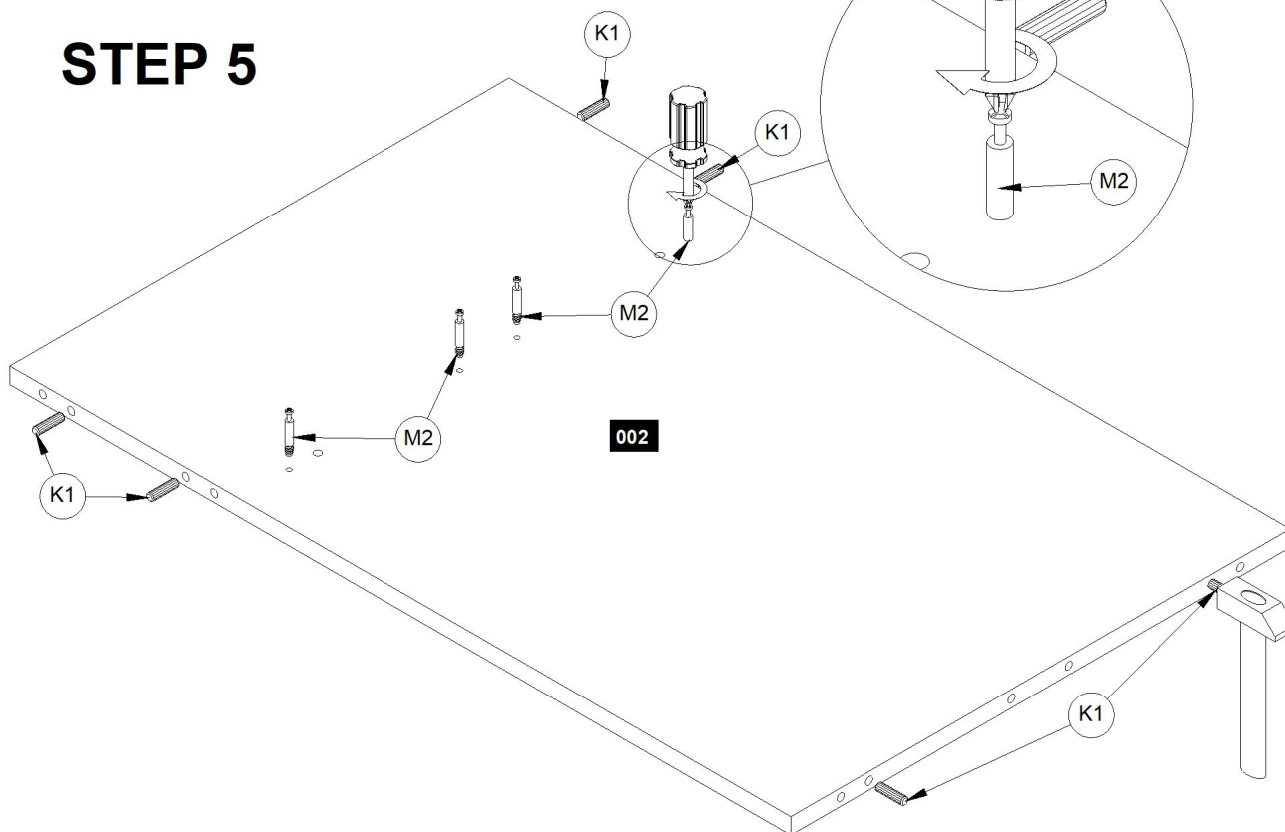


### STEP 4a

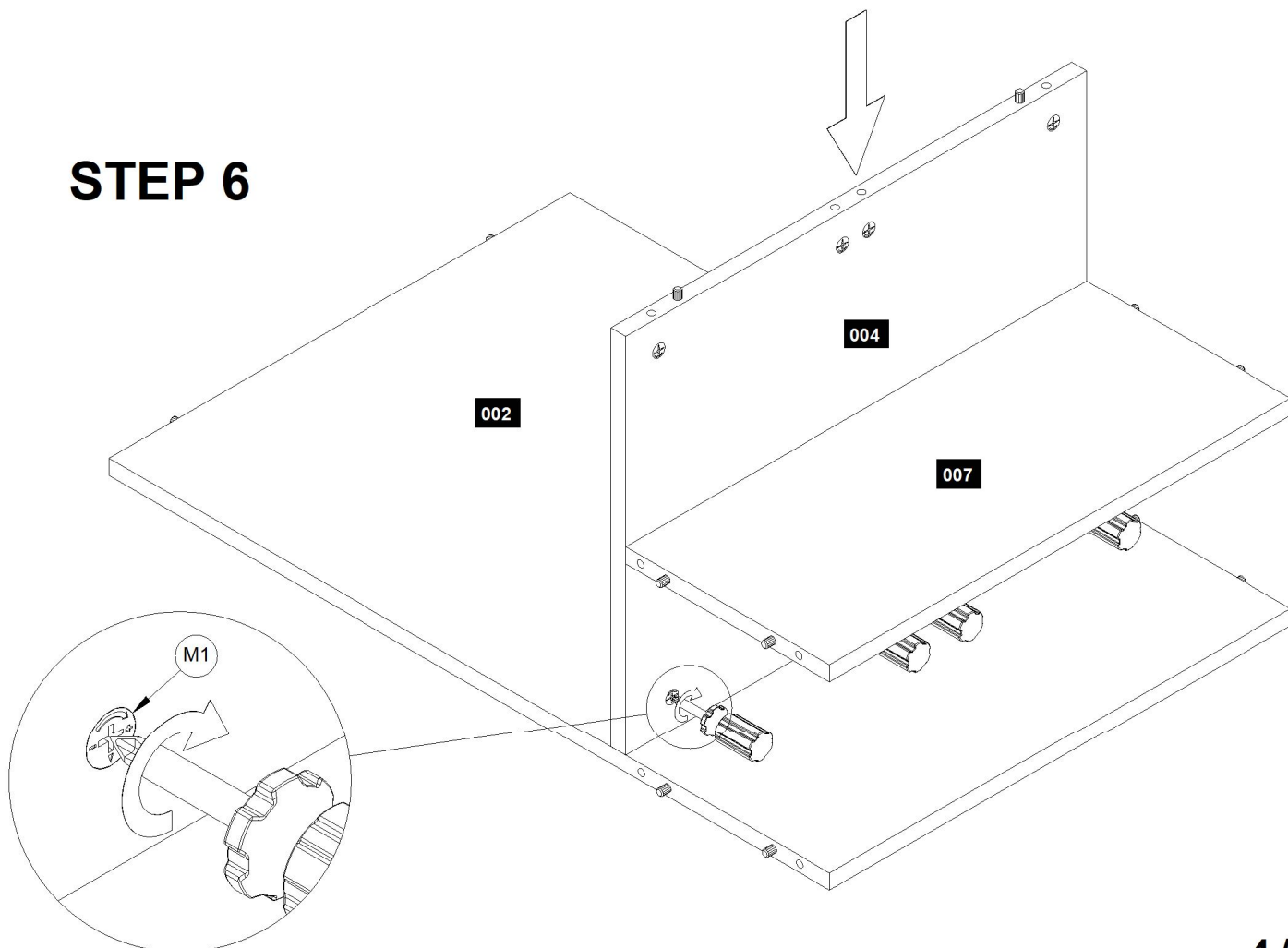


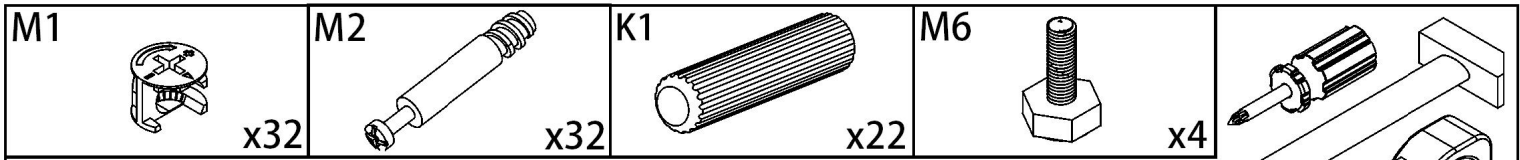


## STEP 5

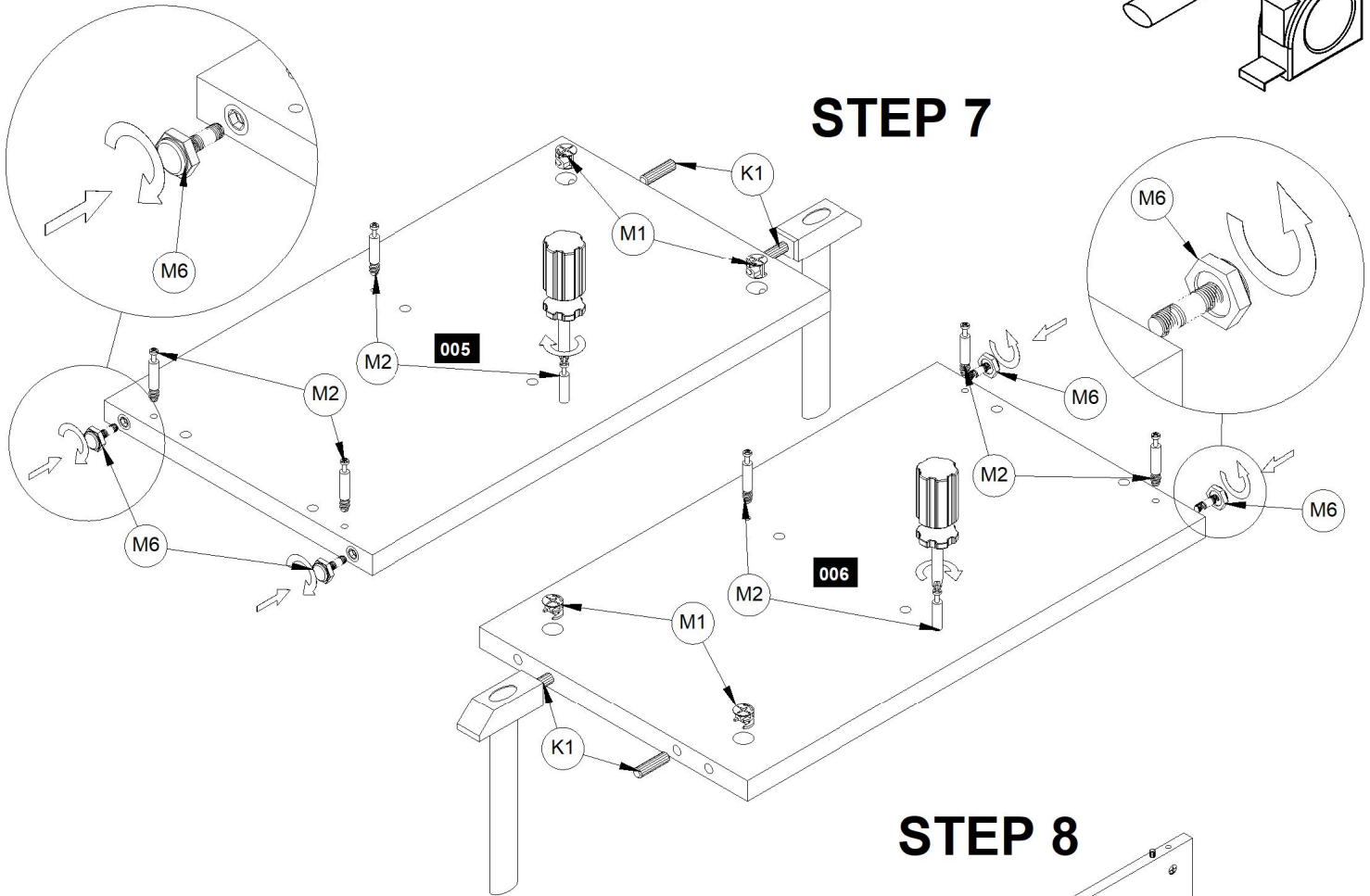


## STEP 6

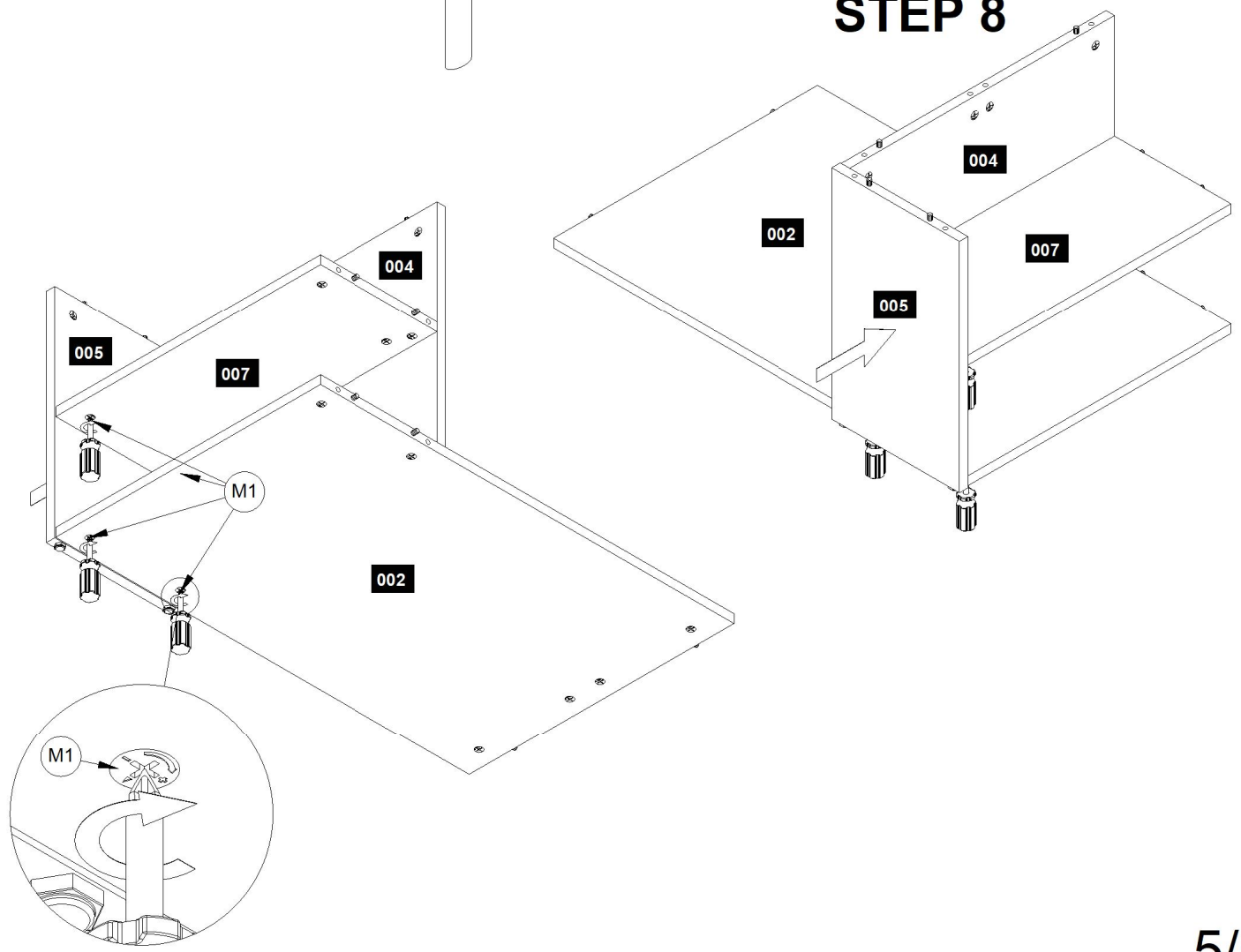




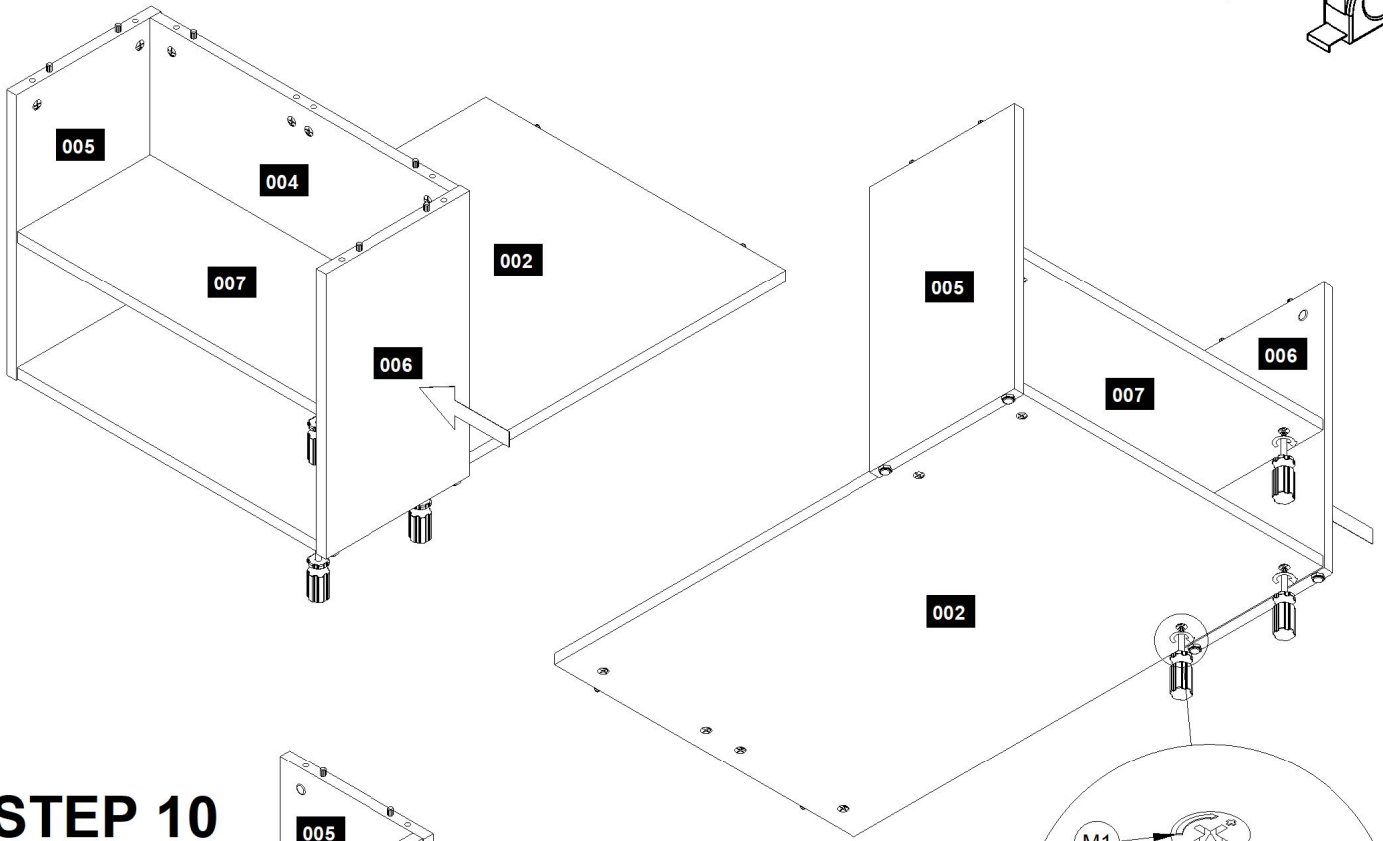
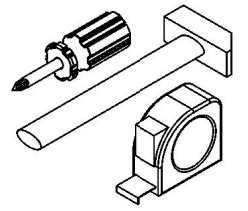
## STEP 7



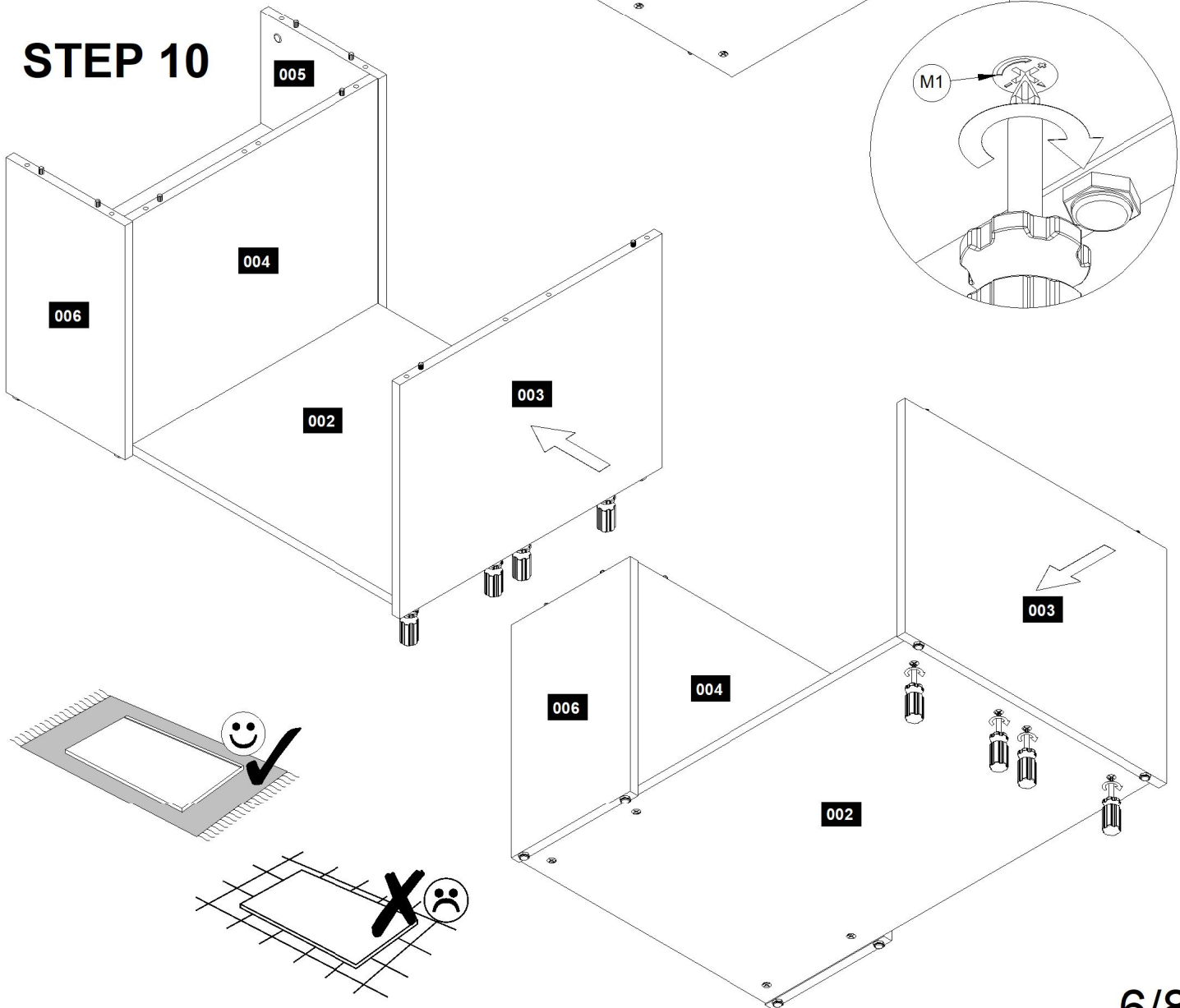
## STEP 8



# STEP 9

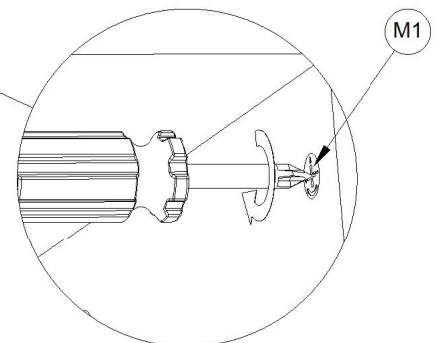
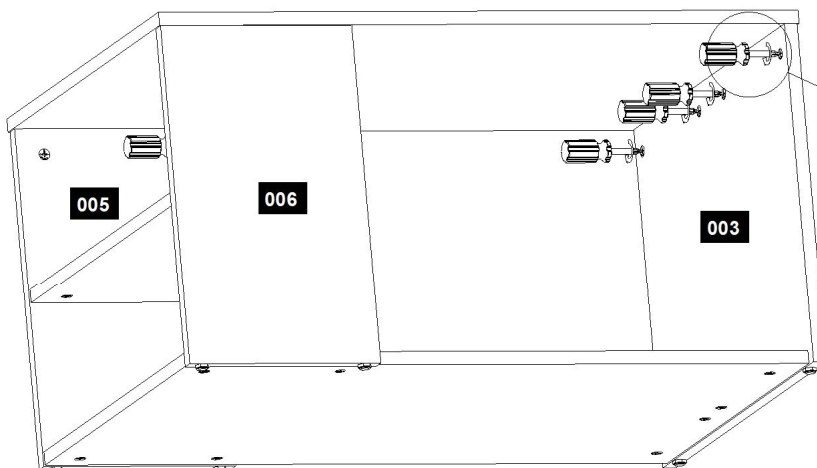
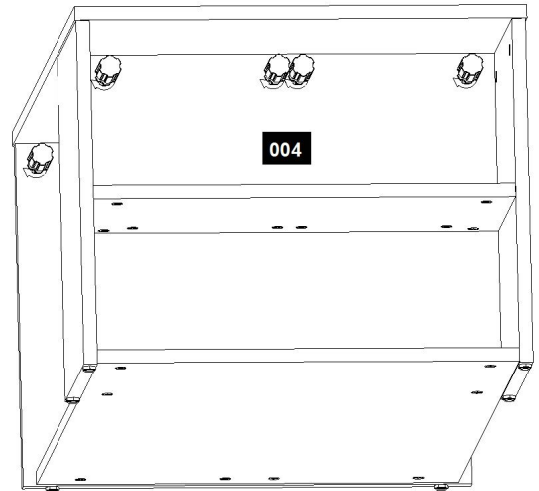
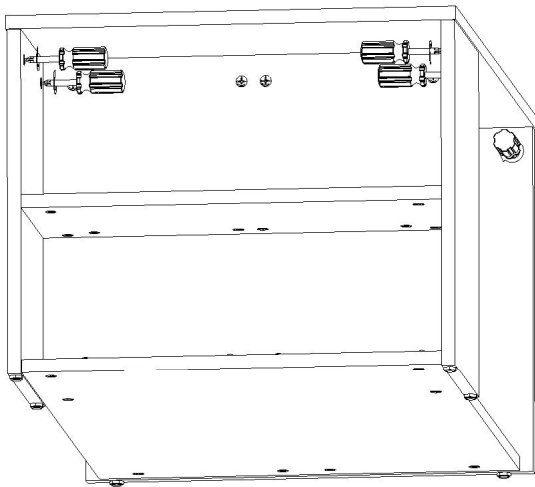
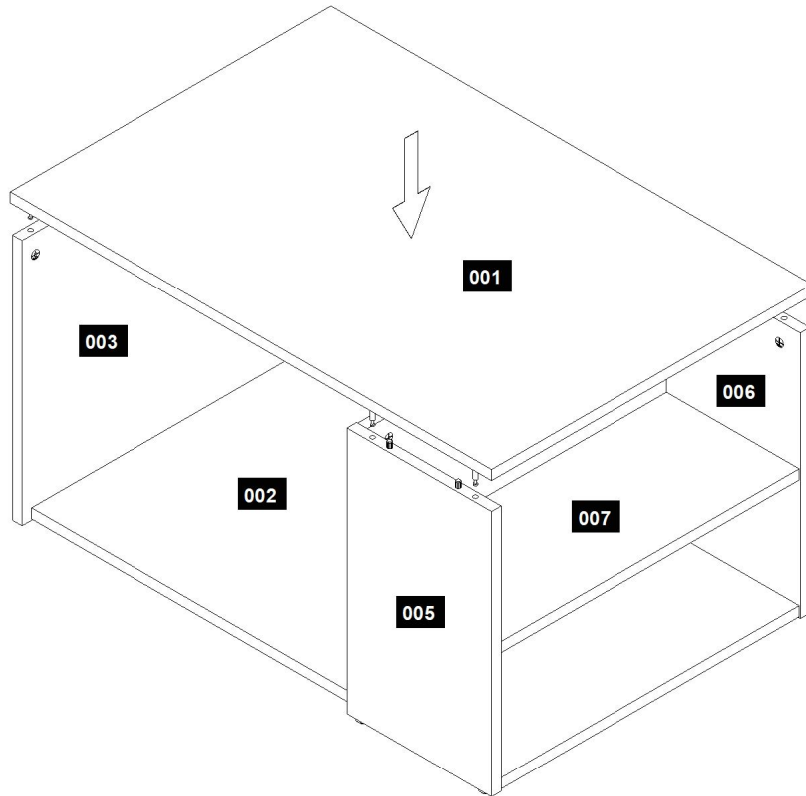
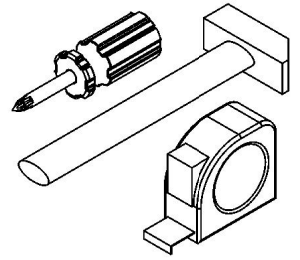


# STEP 10





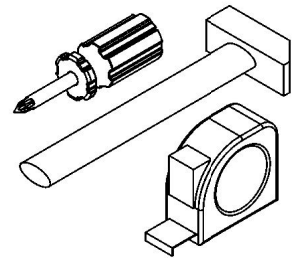
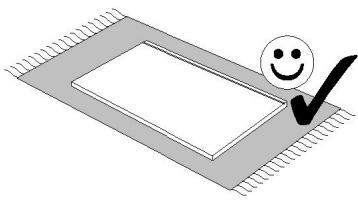
# STEP 11



M3



x32



# STEP 12

