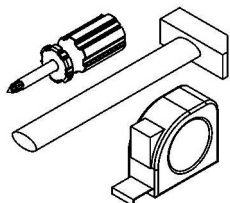
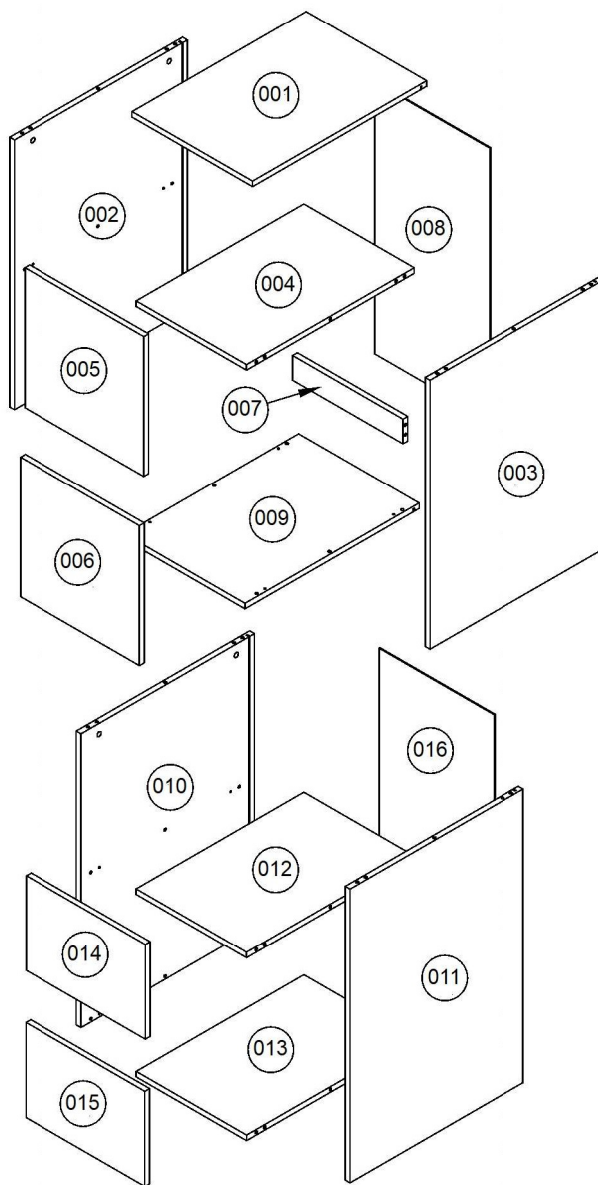
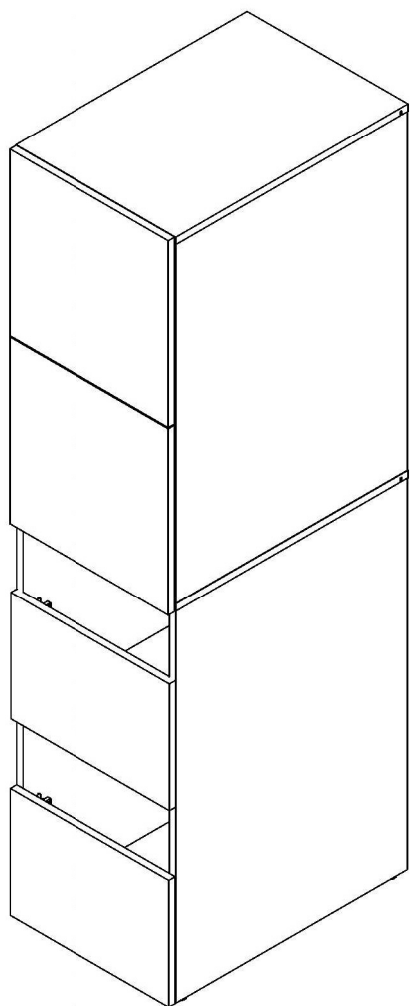
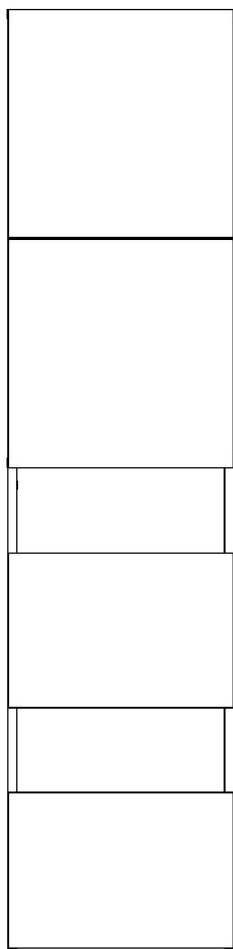


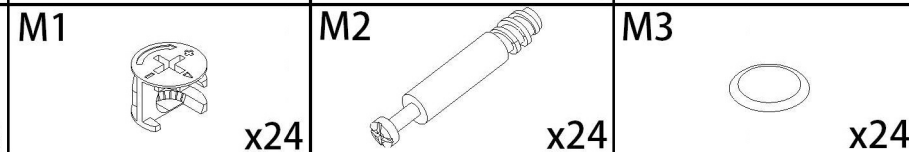
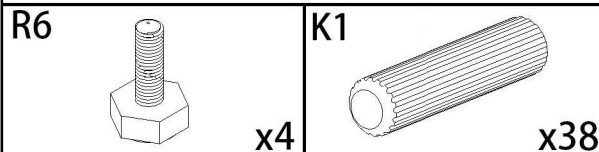
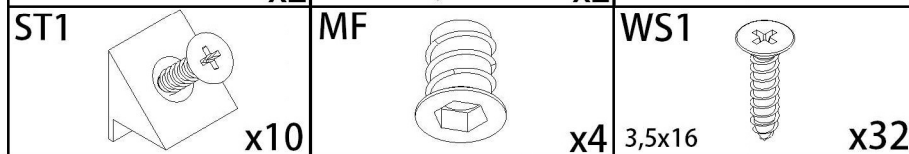
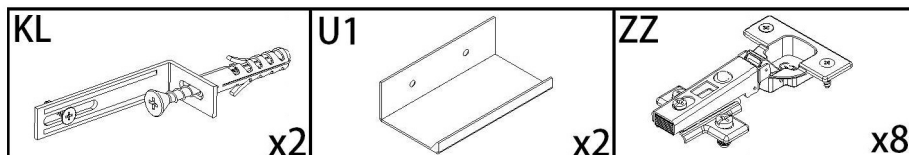
- 90 min.



# BEATRICE

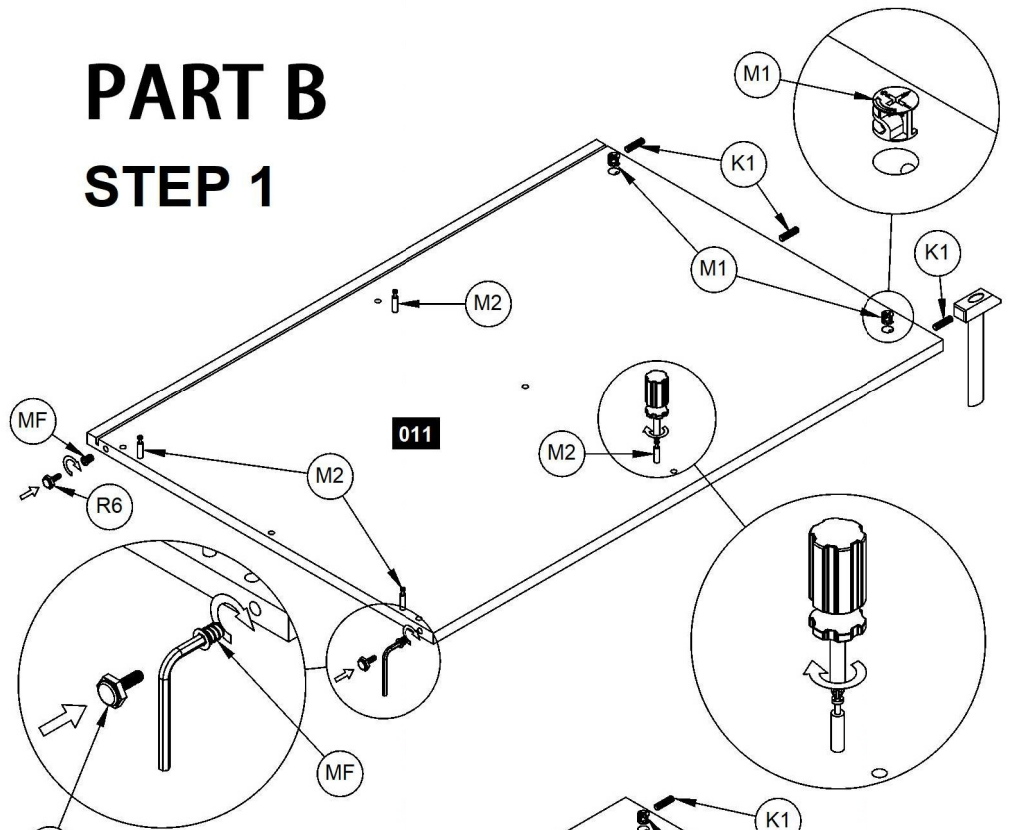
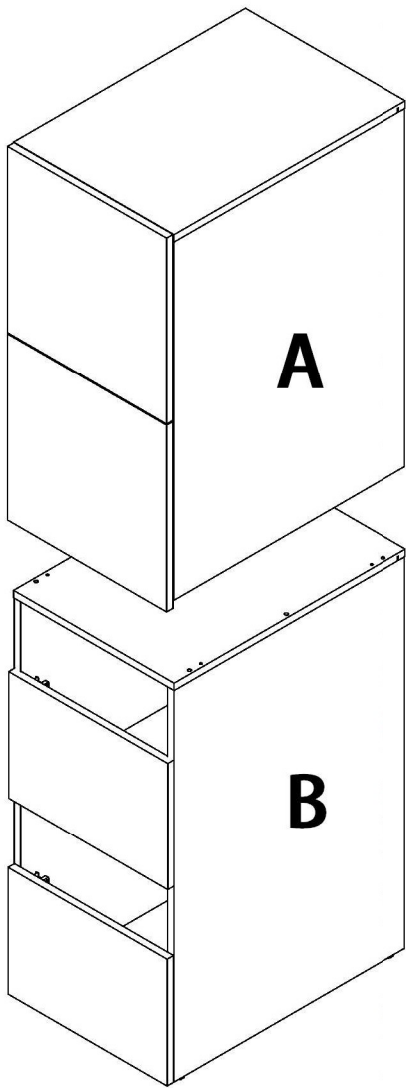


Number	Qty	Size A	Size B
009	1	450	650
011	1	952	648
010	1	952	648
013	1	412	626
015	1	308	446
014	1	308	446
012	1	412	626
001	1	450	650
003	1	872	648
002	1	872	648
004	1	412	626
006	1	453	446
005	1	453	446
007	1	80	412
008	1	880	430
016	1	960	430

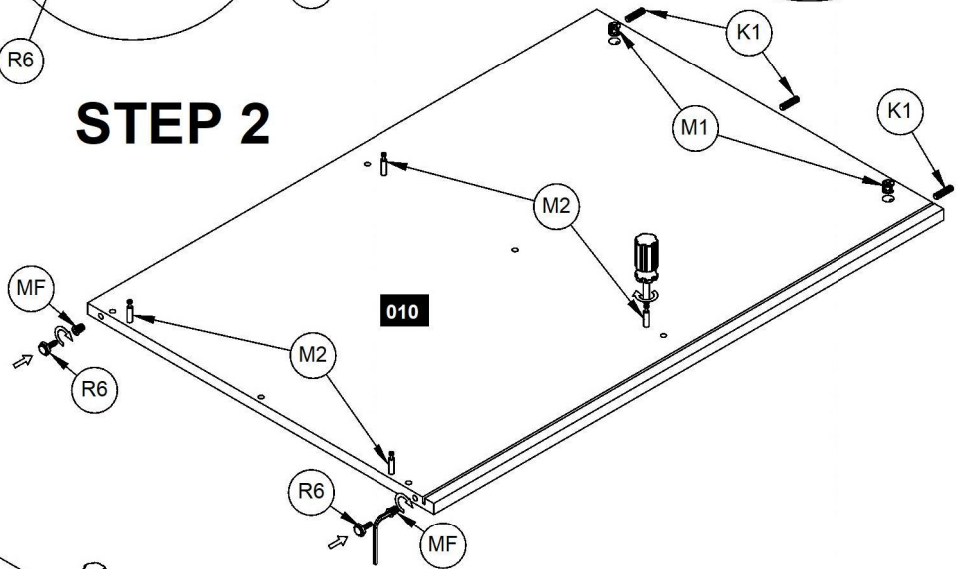


# PART B

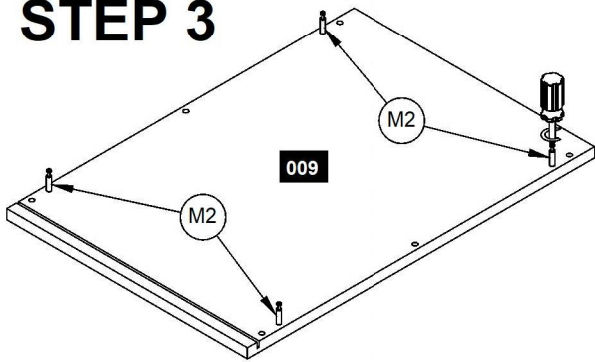
## STEP 1



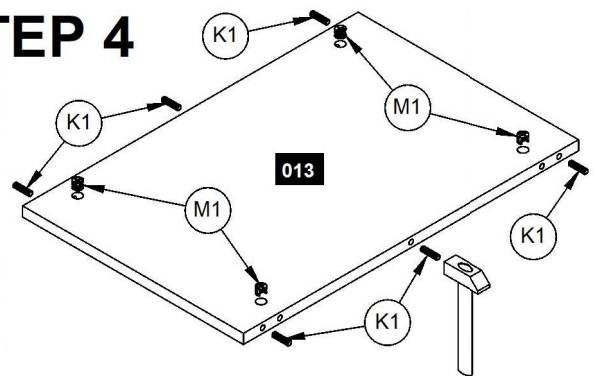
## STEP 2



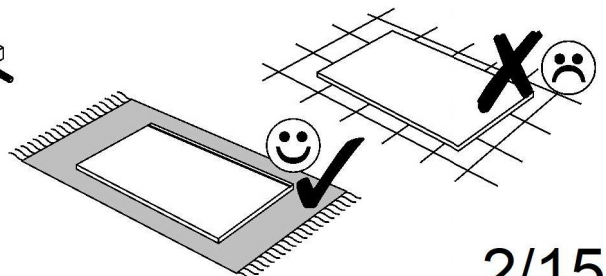
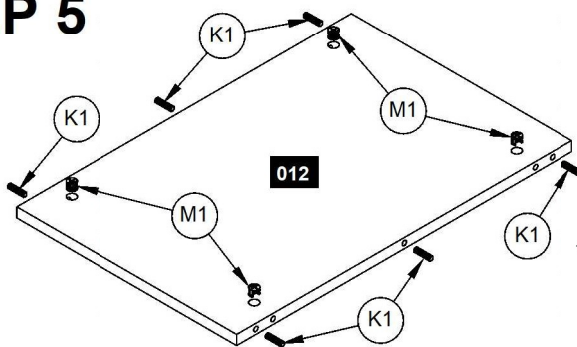
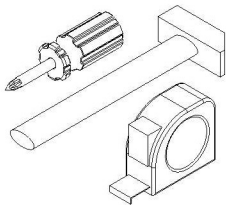
## STEP 3



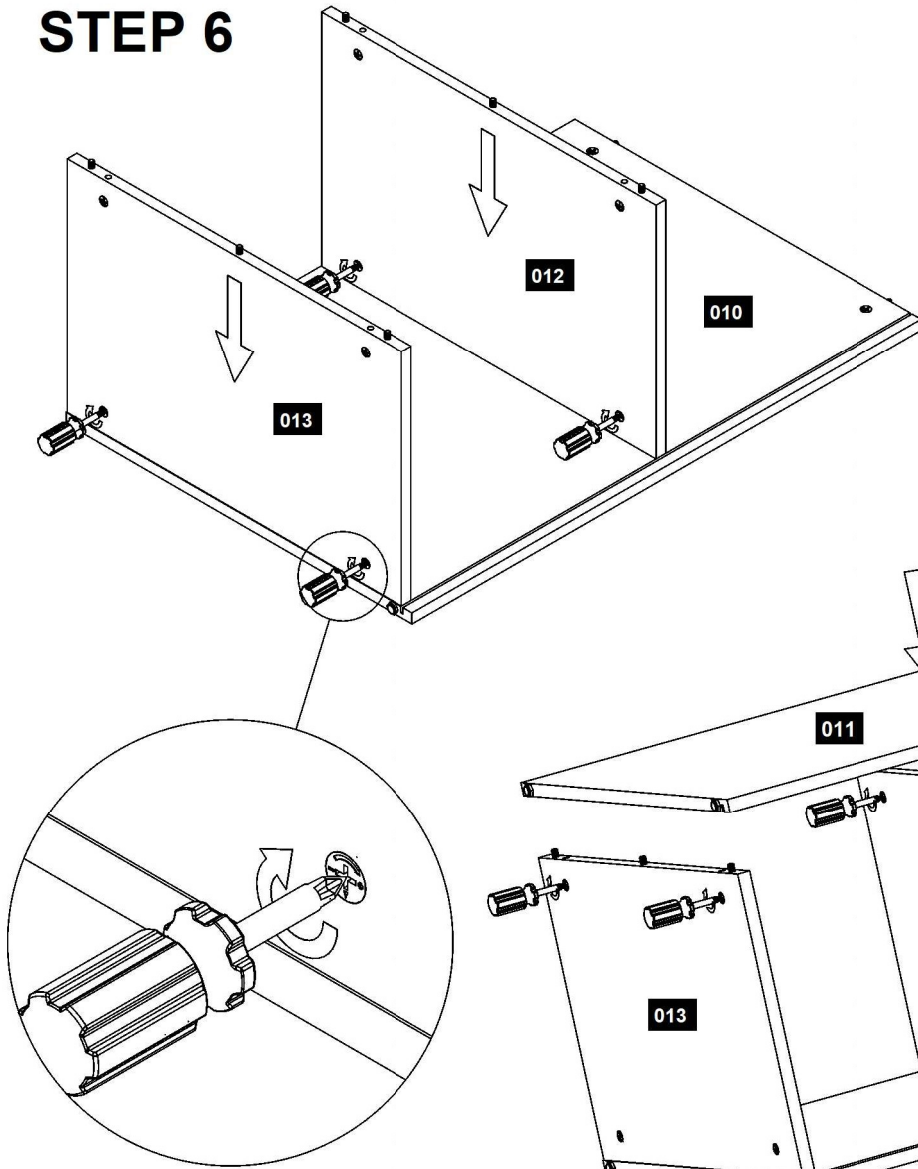
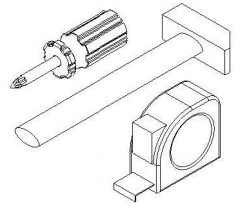
## STEP 4



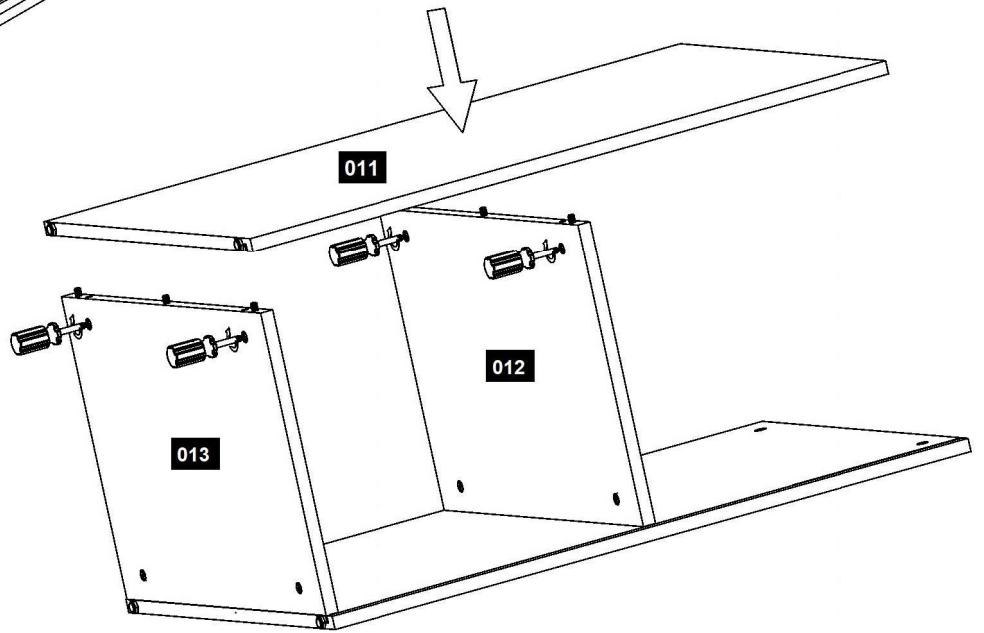
## STEP 5



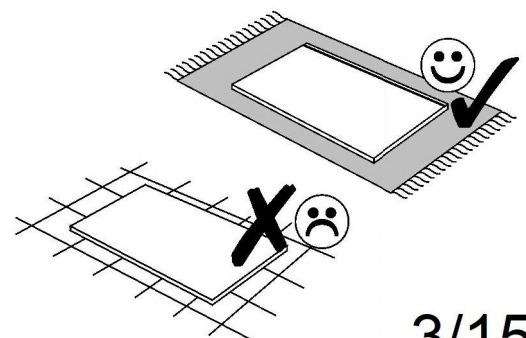
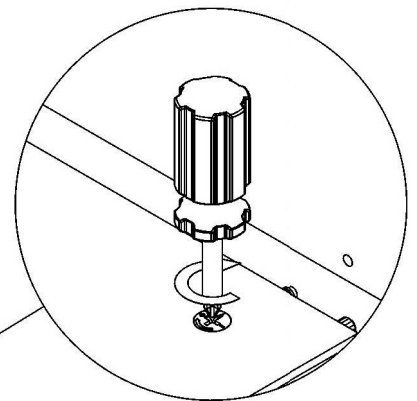
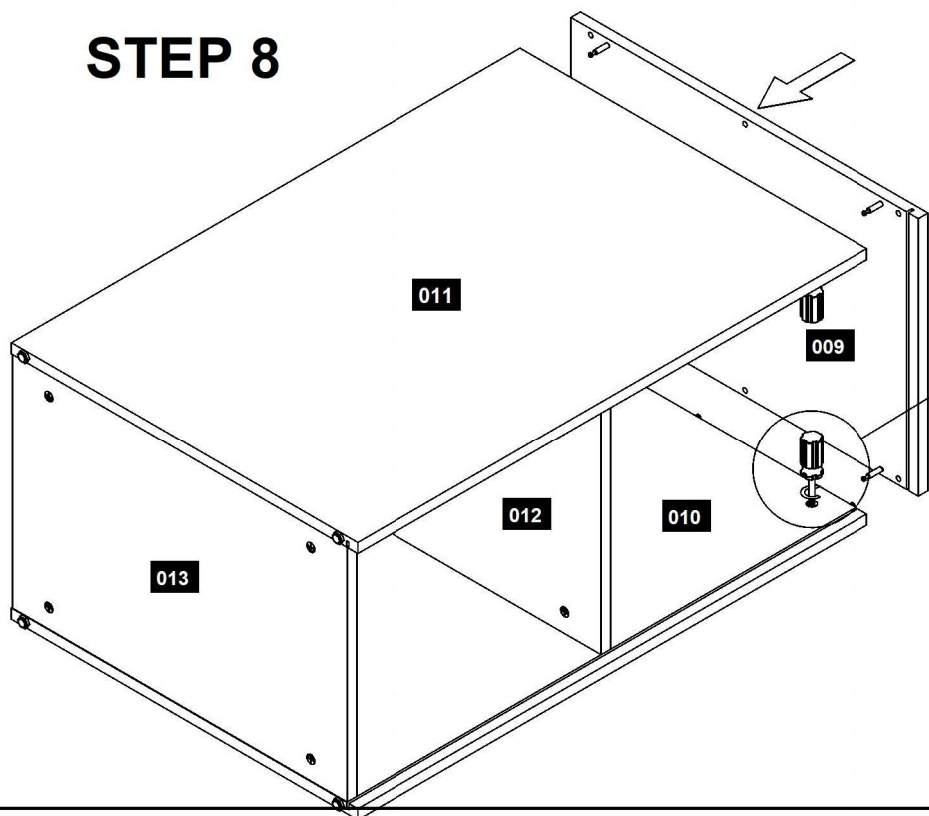
# STEP 6



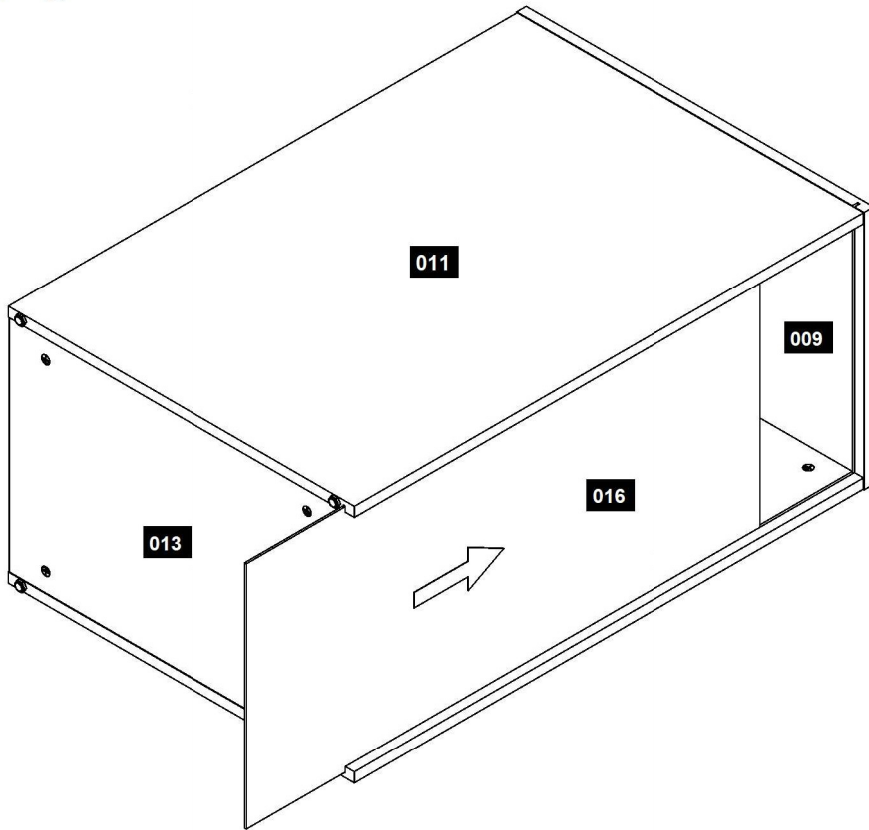
# STEP 7



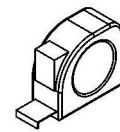
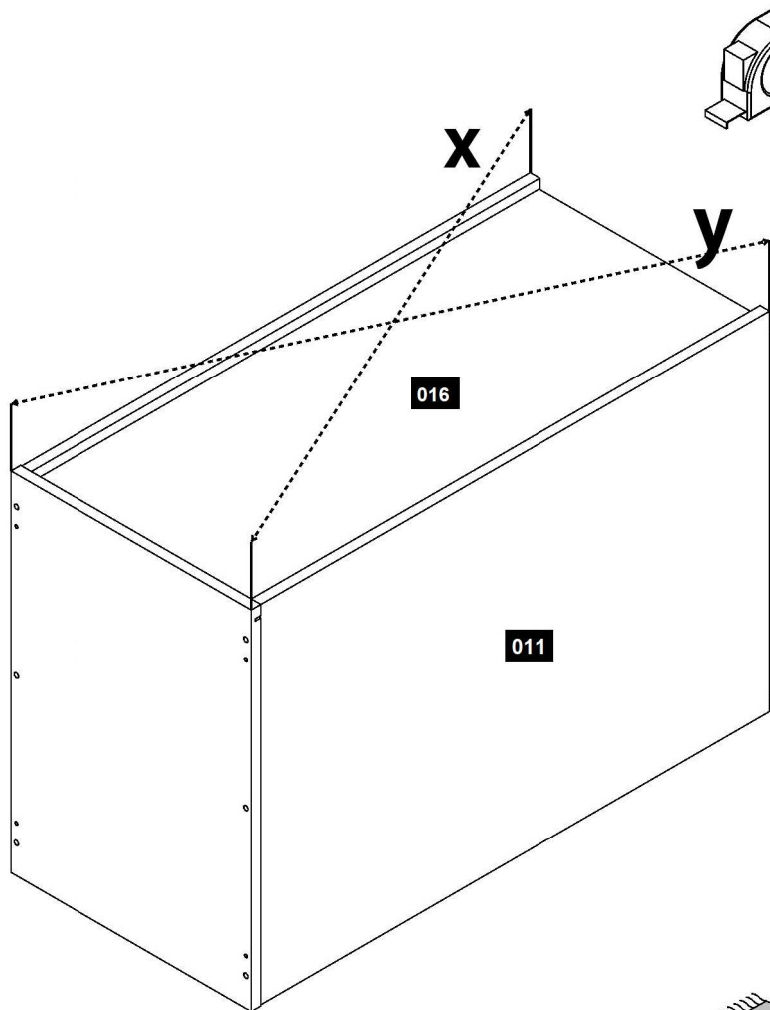
# STEP 8



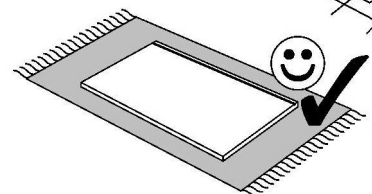
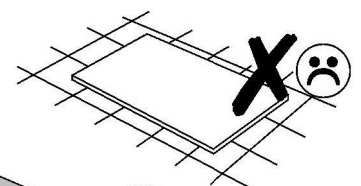
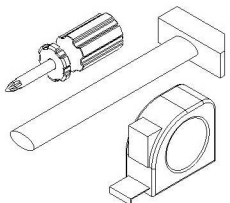
# STEP 9

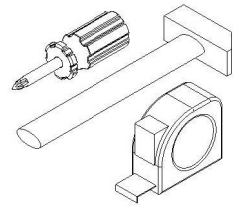


# STEP 10

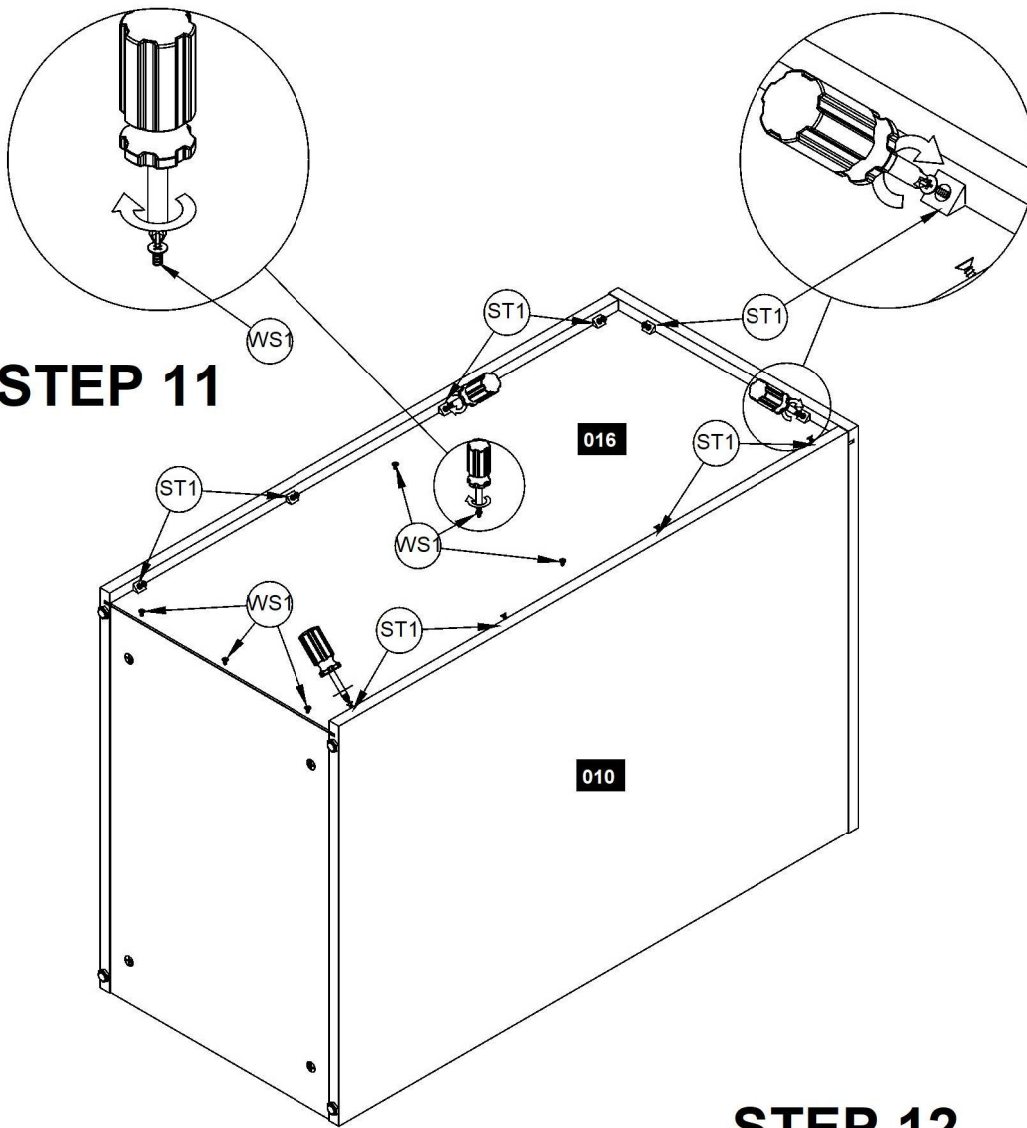


$x = y$

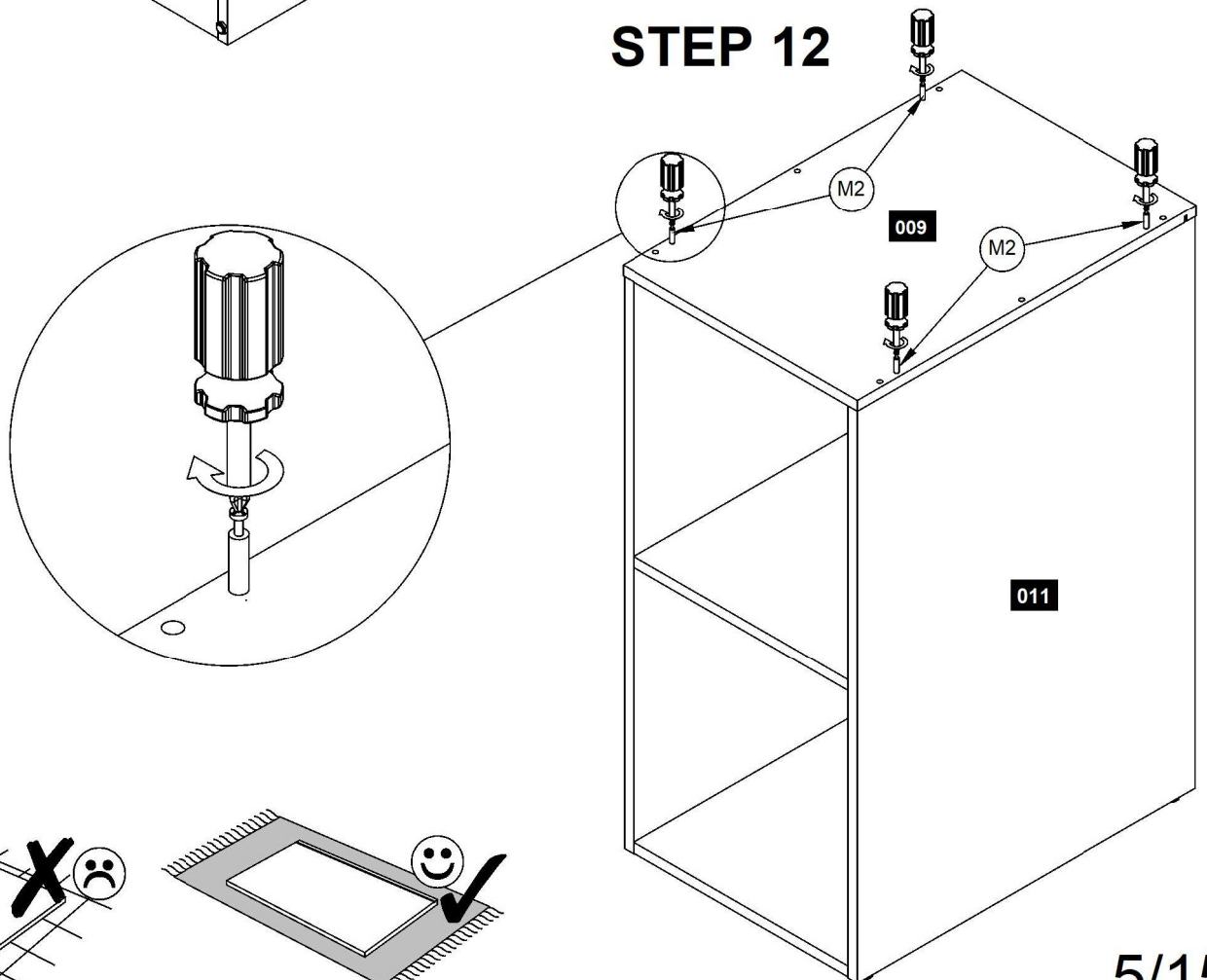


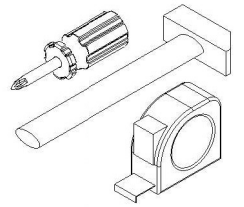


# STEP 11



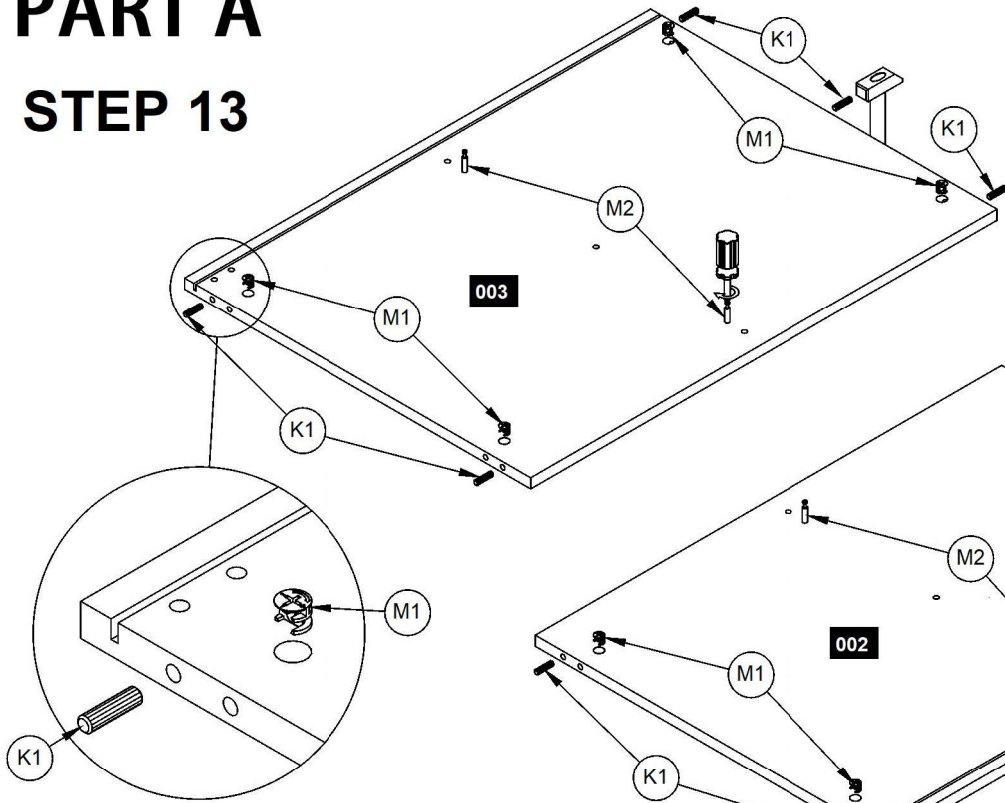
# STEP 12



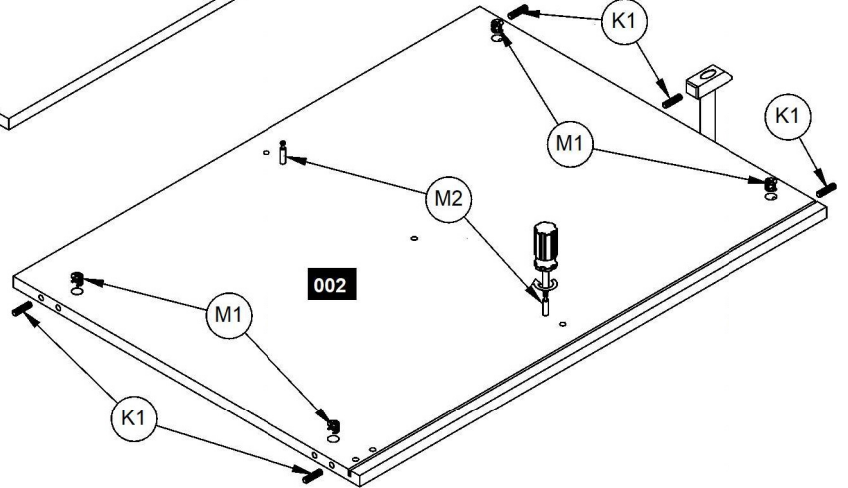


# PART A

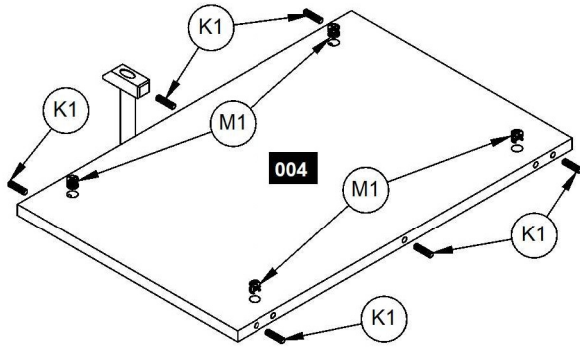
## STEP 13



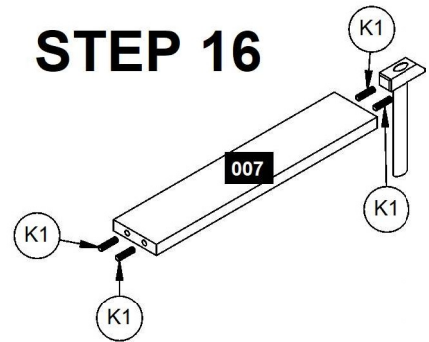
## STEP 14



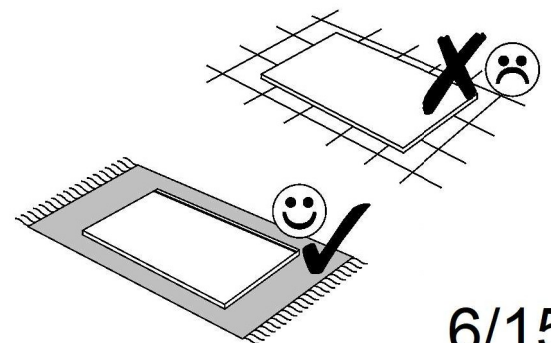
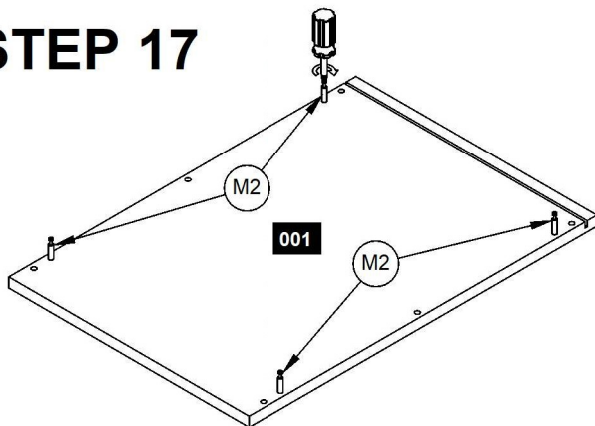
## STEP 15



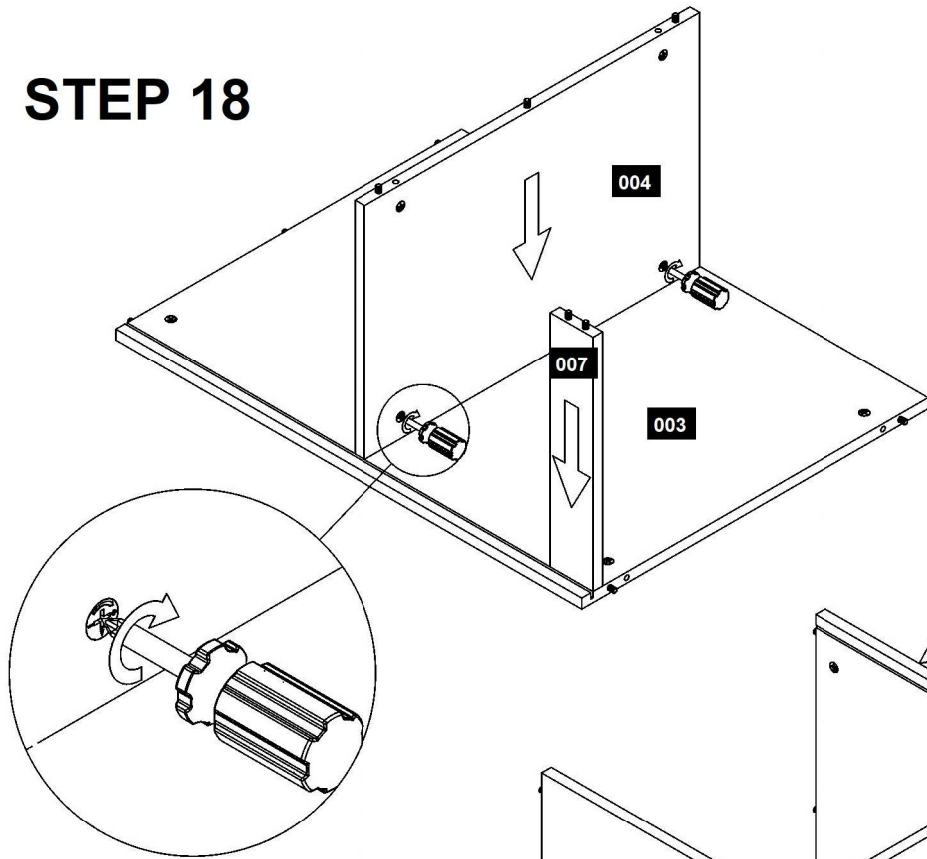
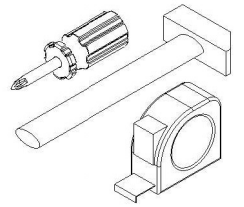
## STEP 16



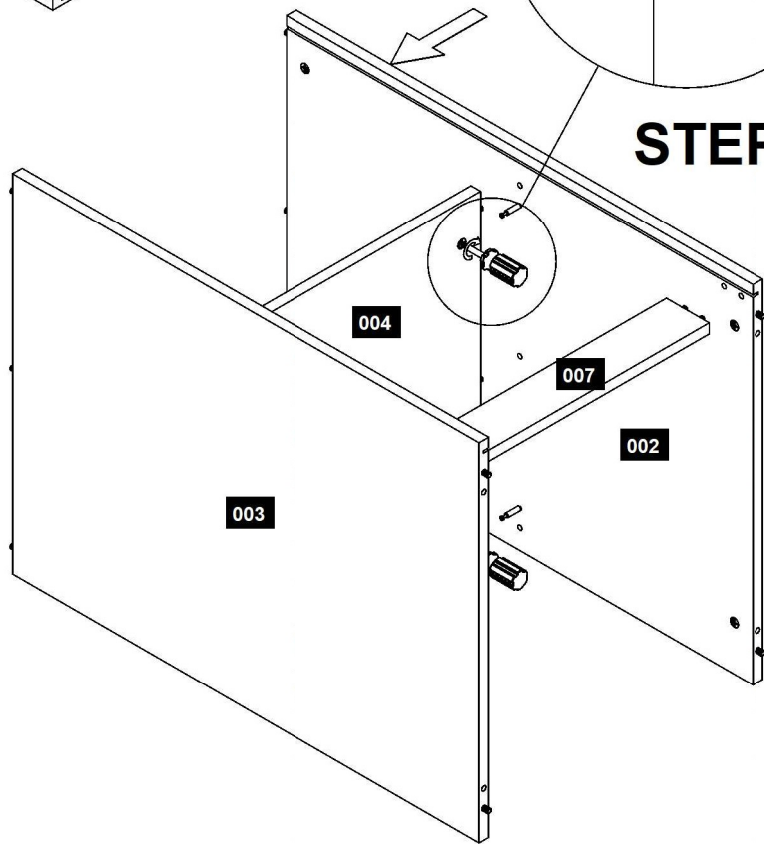
## STEP 17



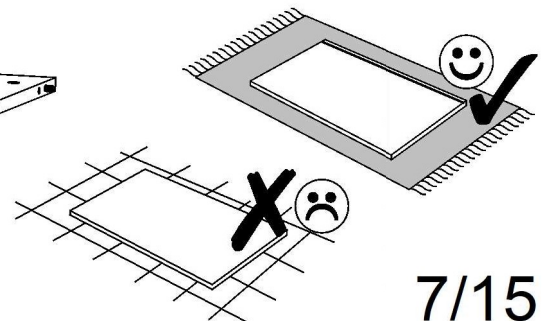
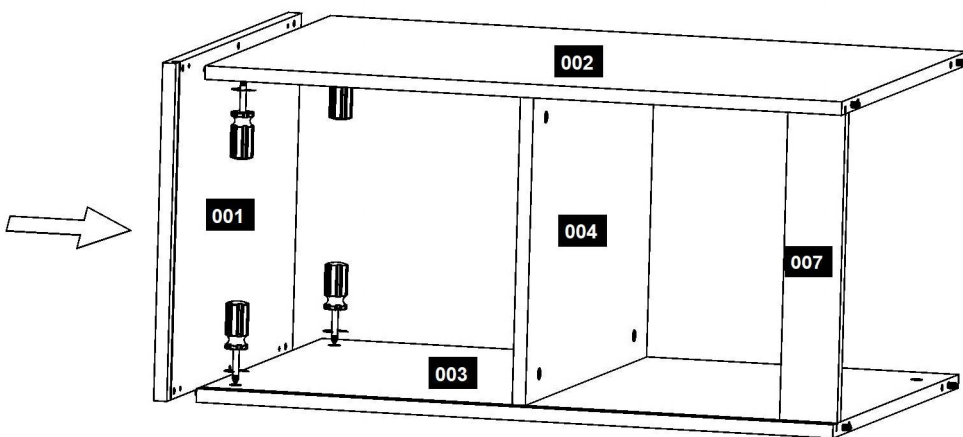
# STEP 18



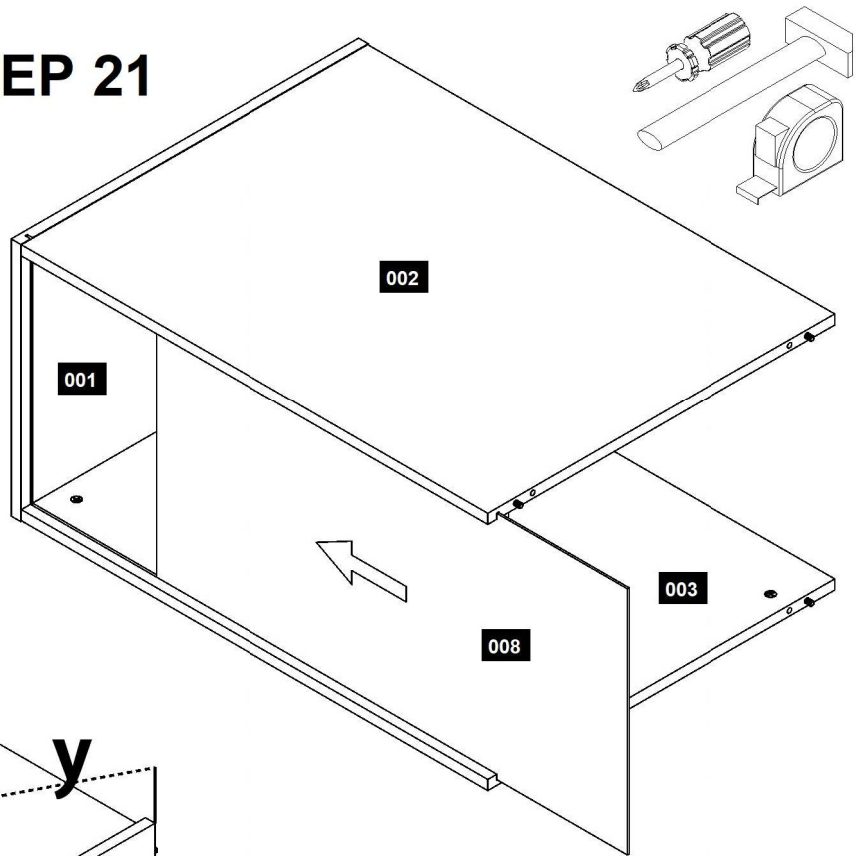
# STEP 19



# STEP 20

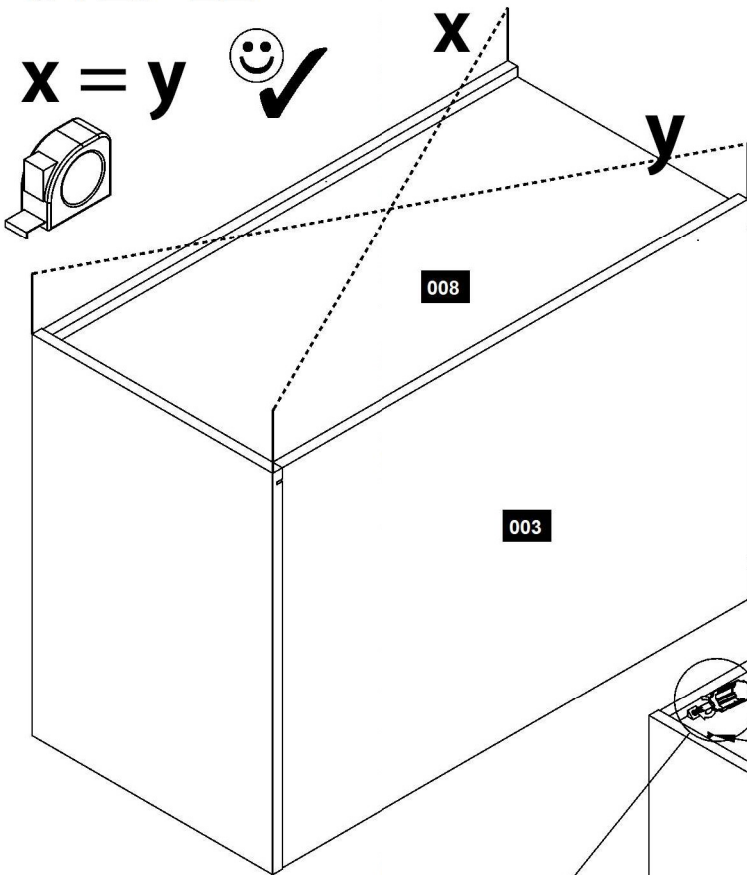


# STEP 21

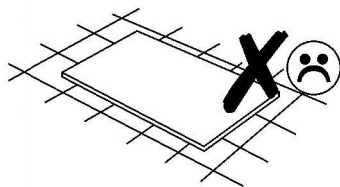
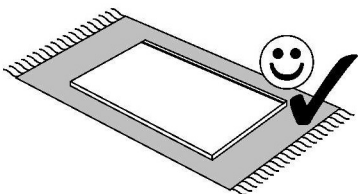
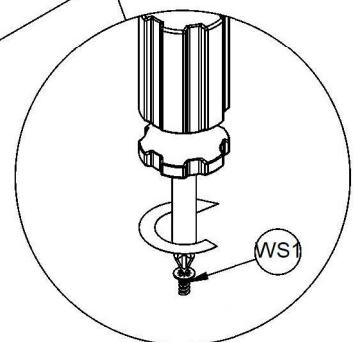
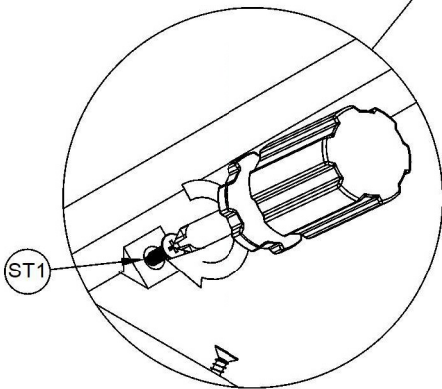
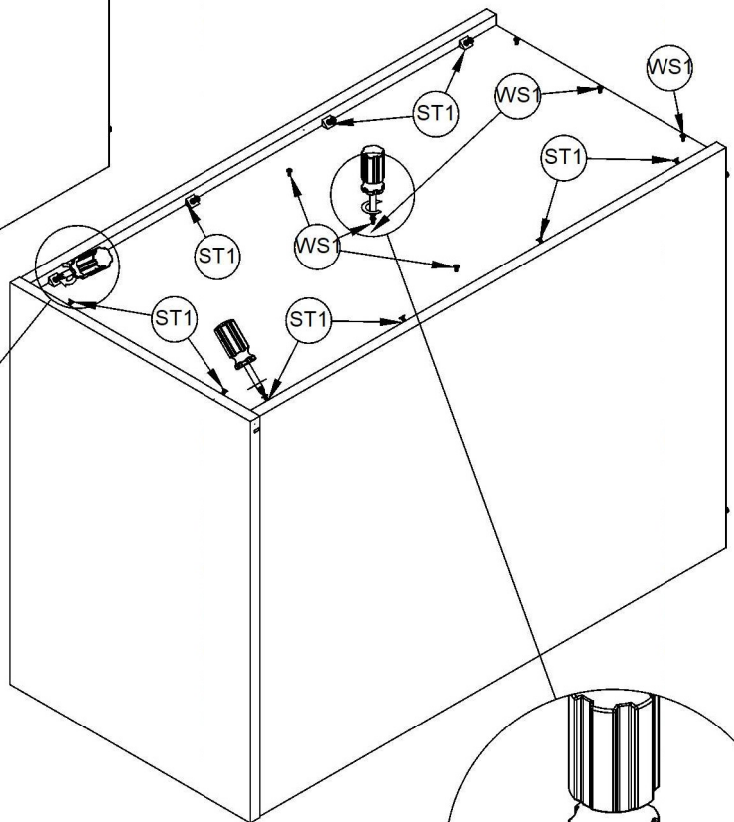


# STEP 22

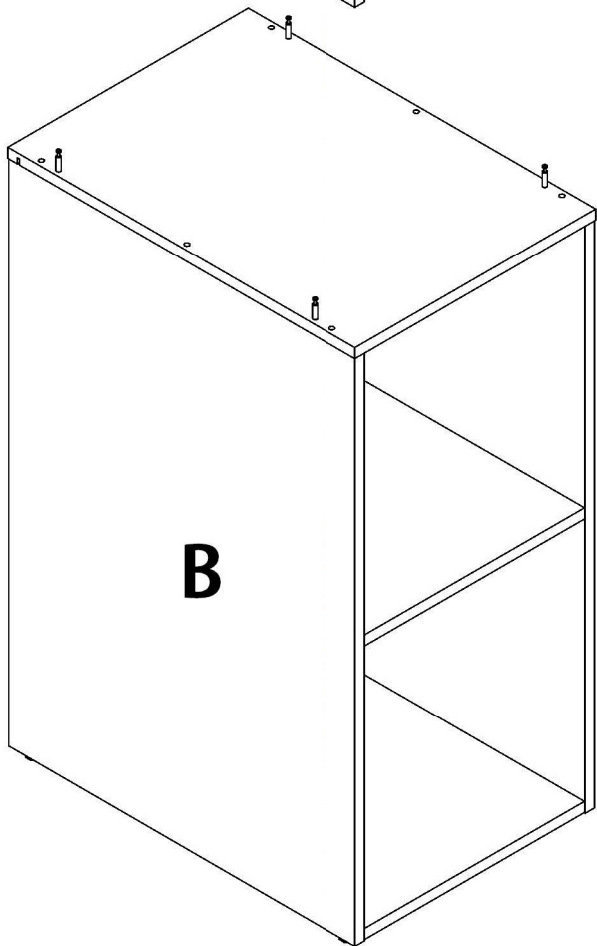
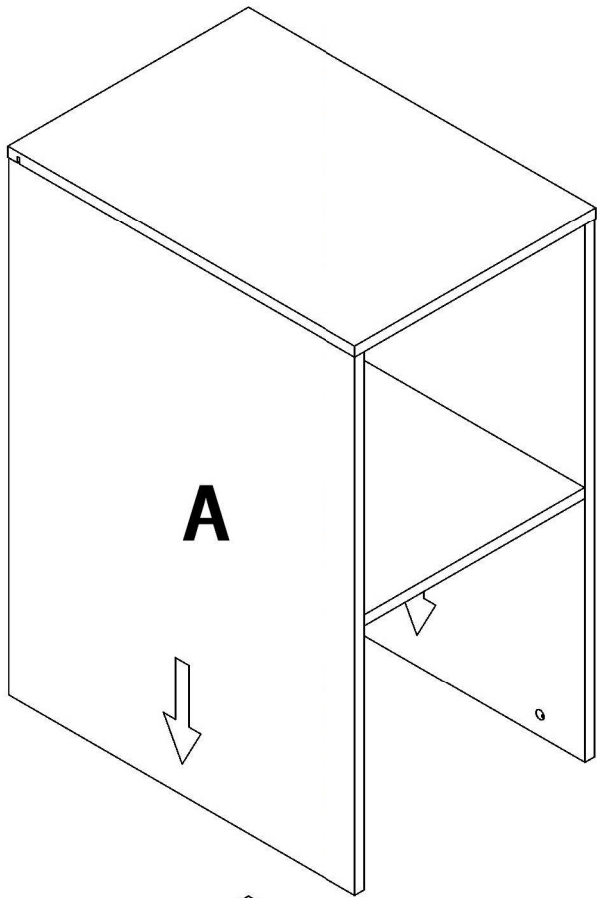
$x = y$  😊 ✓



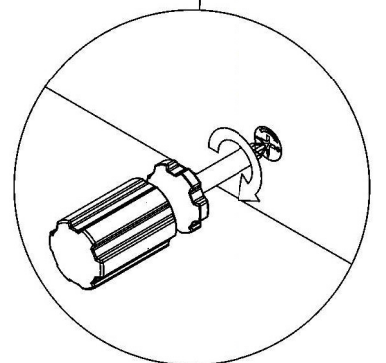
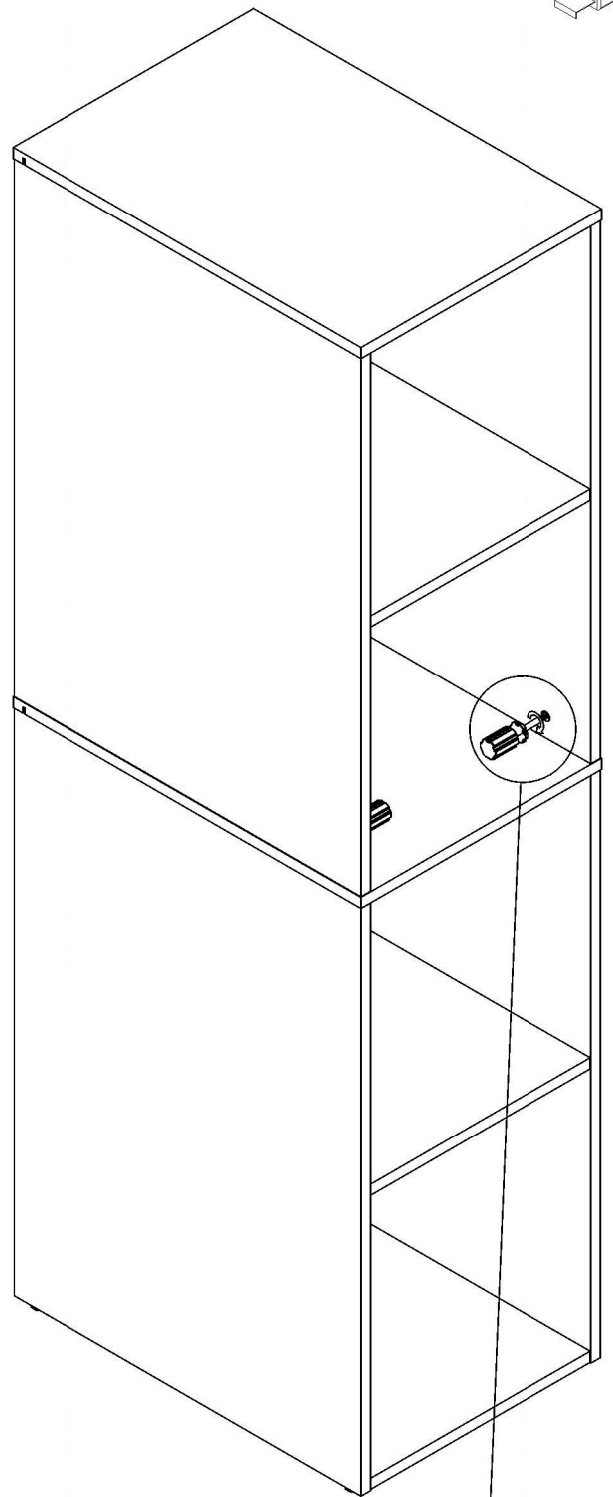
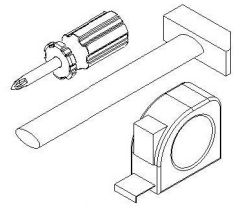
# STEP 23



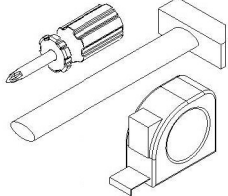
# STEP 24



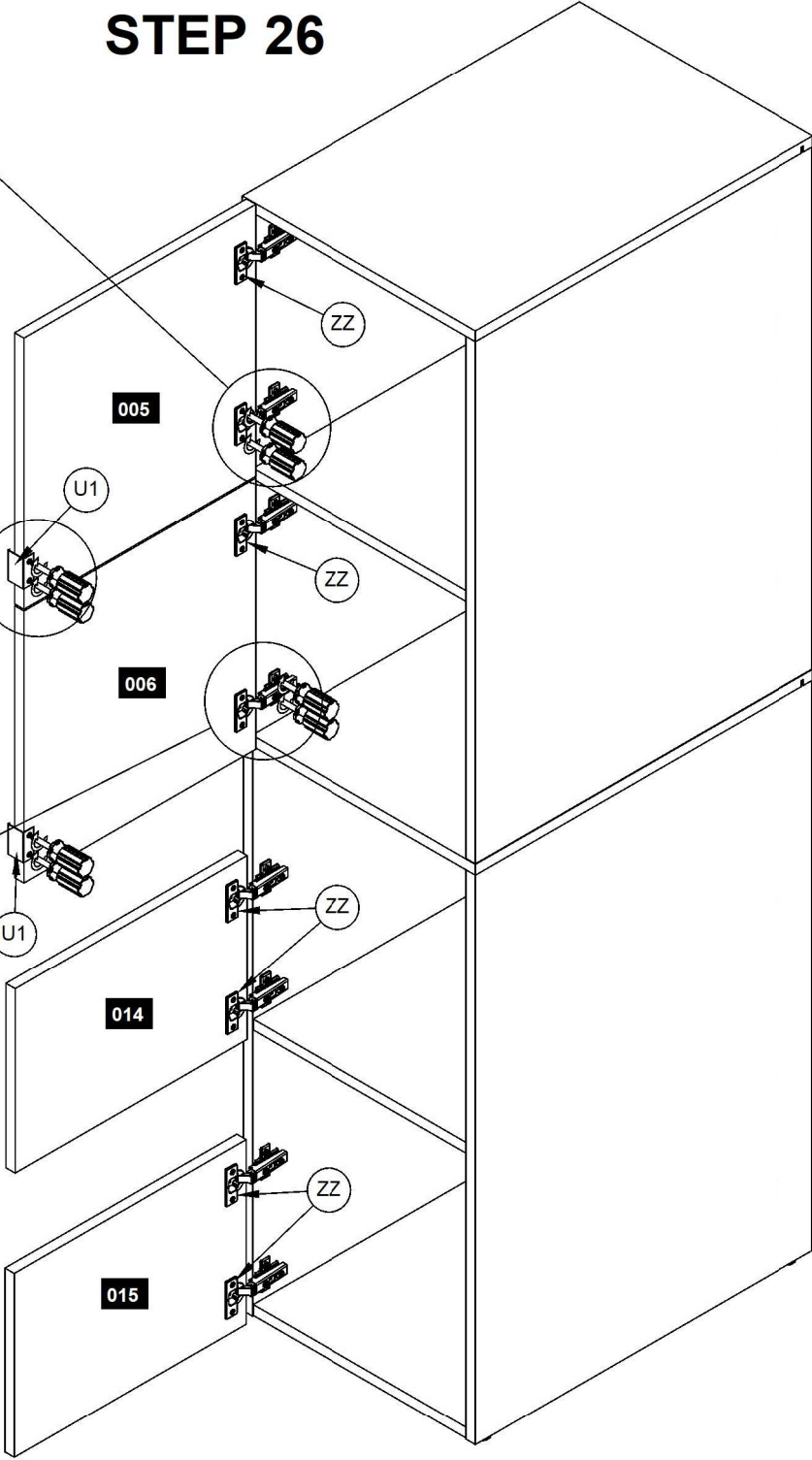
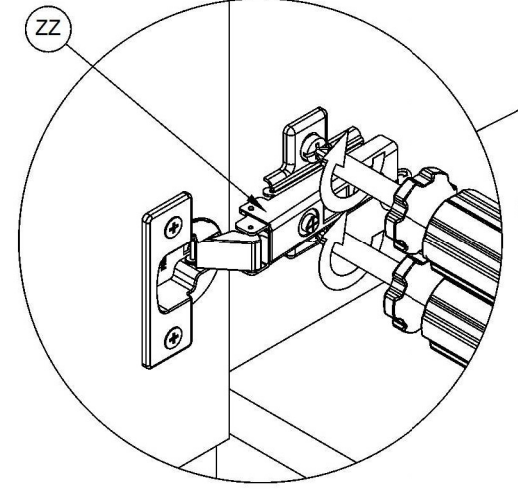
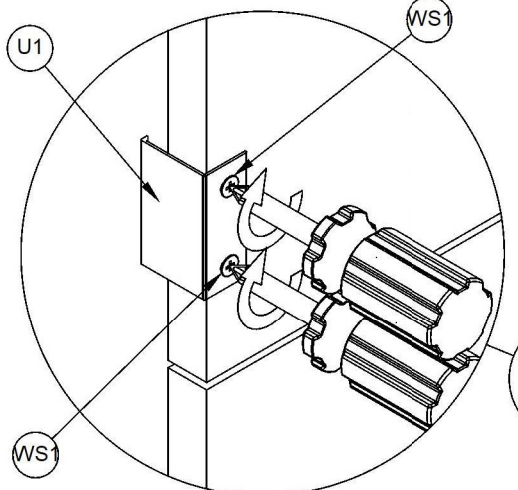
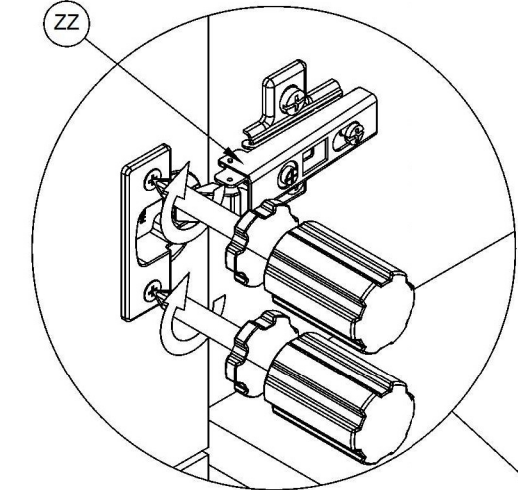
# STEP 25



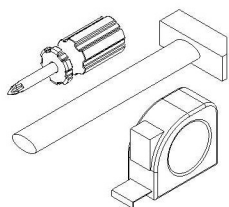
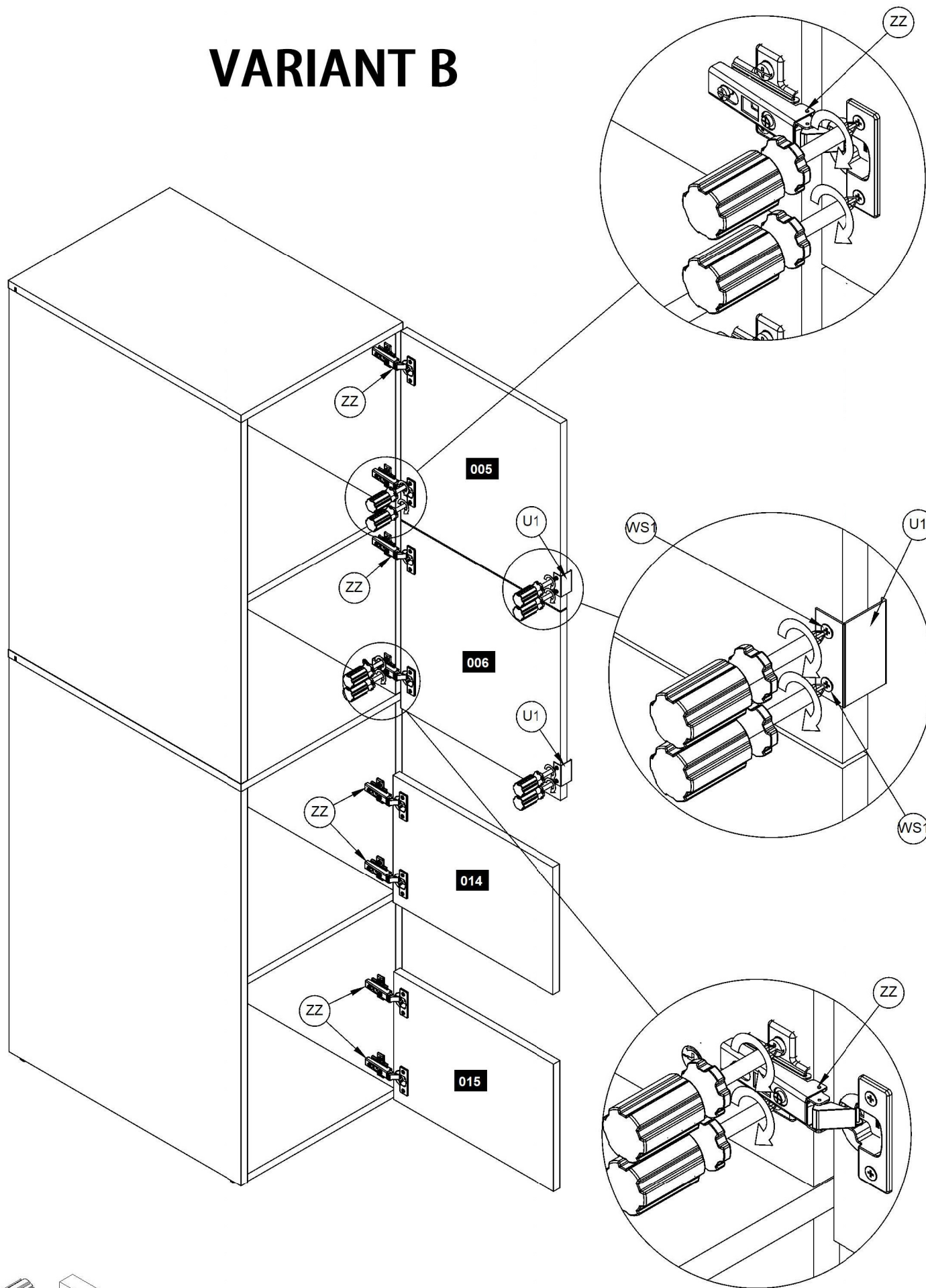
# VARIANT A

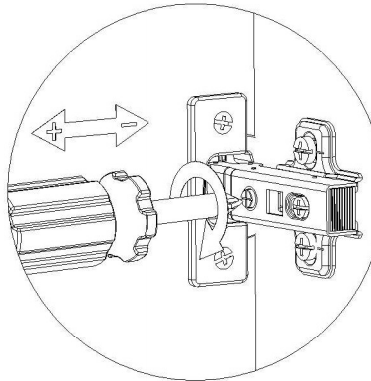
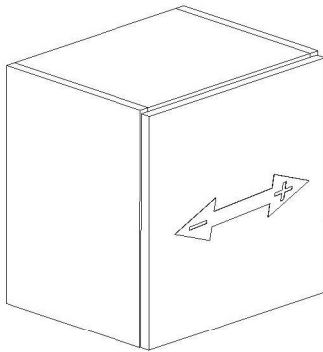
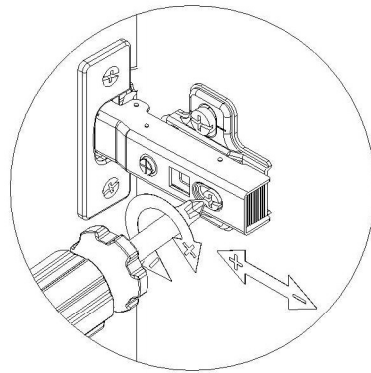
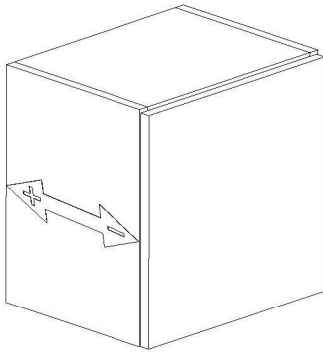
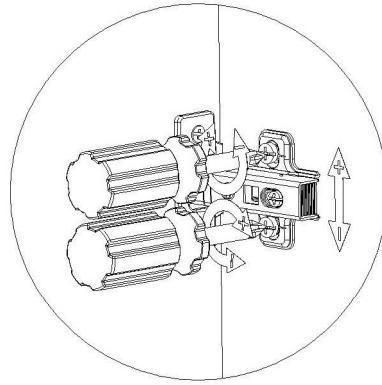
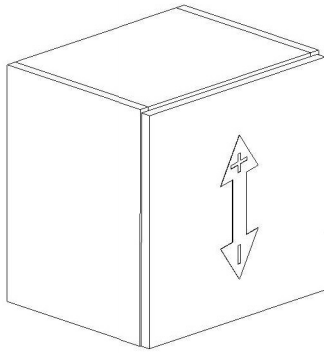


## STEP 26

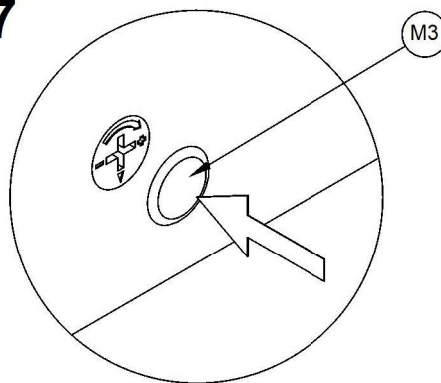


# VARIANT B



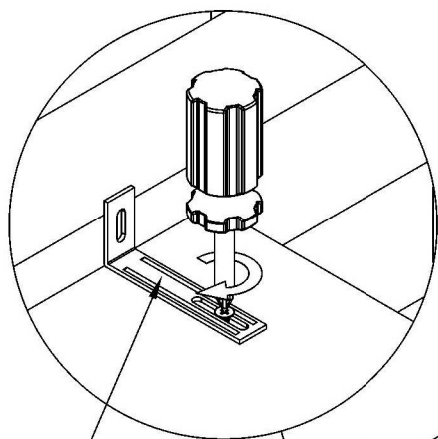


## STEP 27

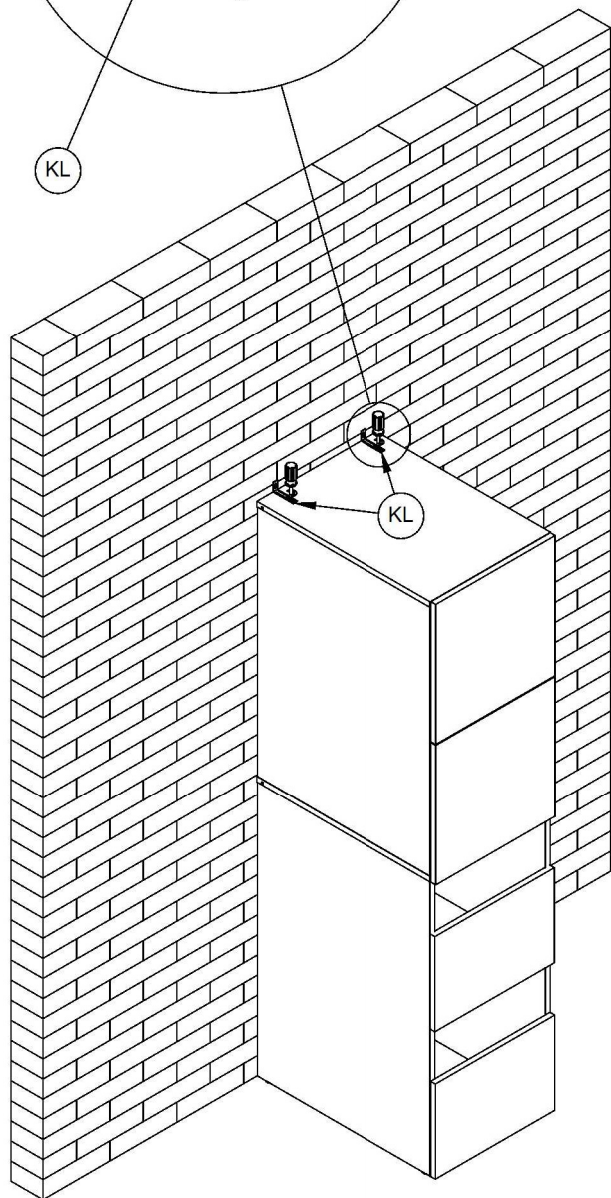


**x24**

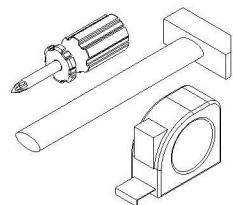
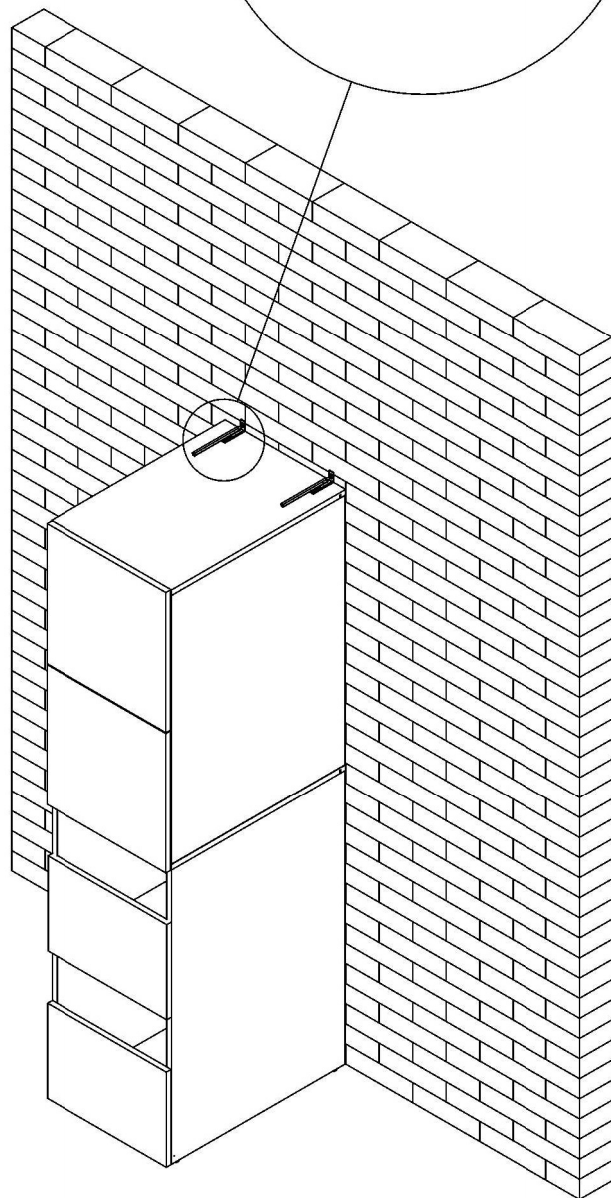
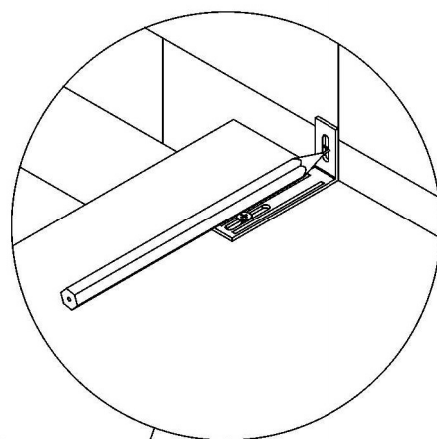
# STEP 28



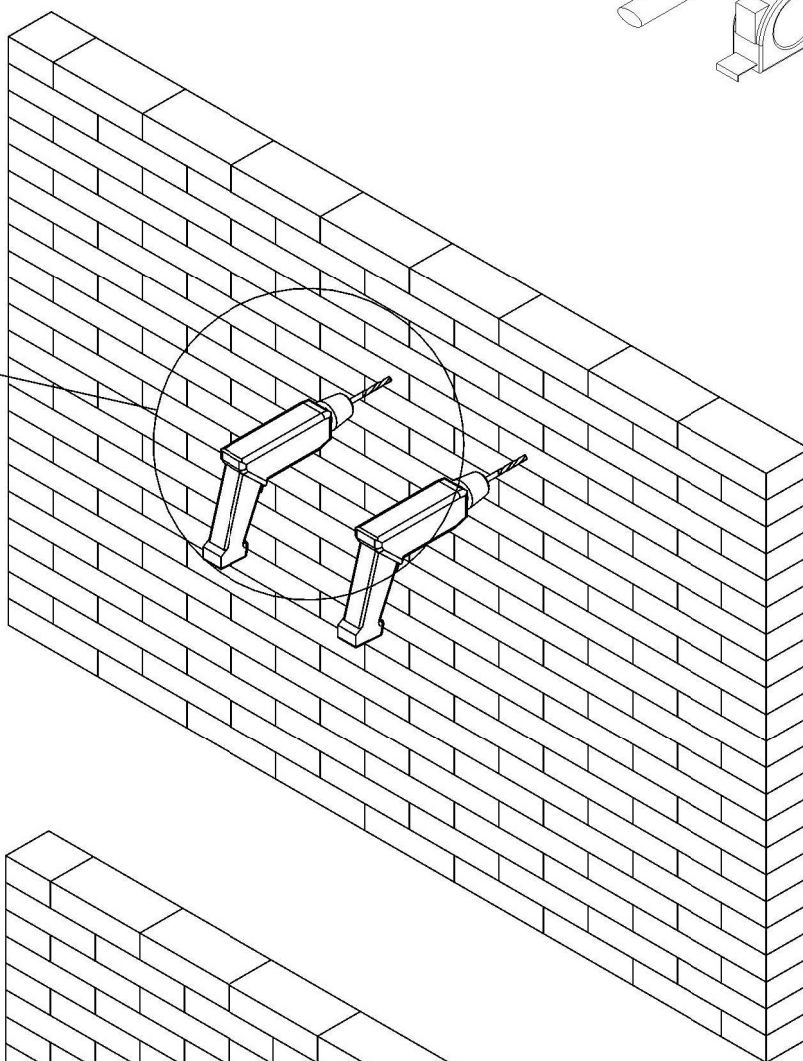
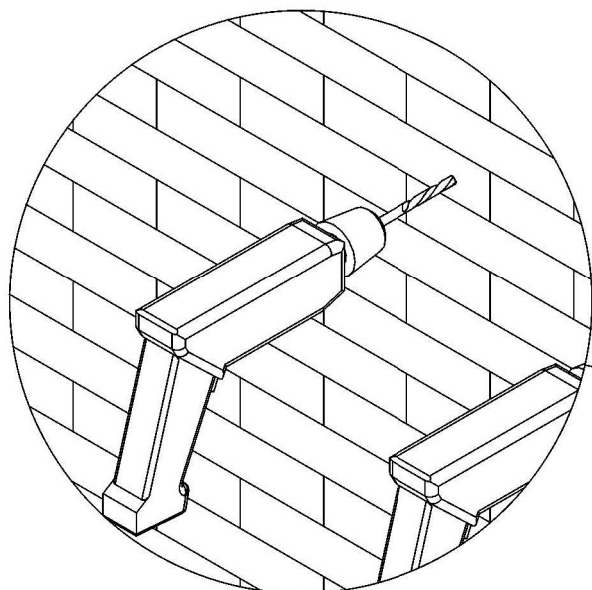
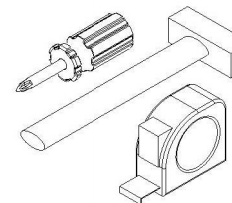
KL



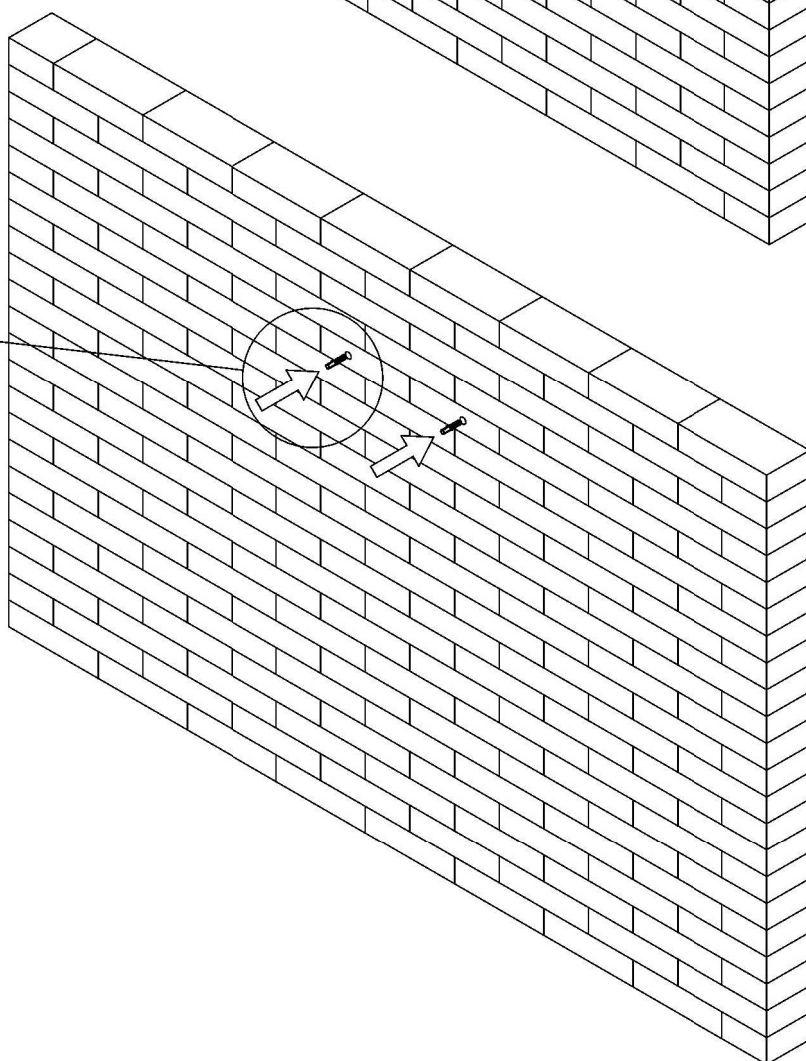
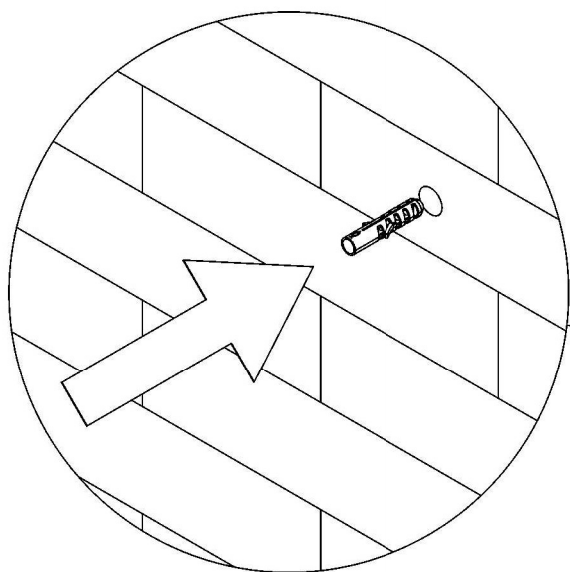
# STEP 29

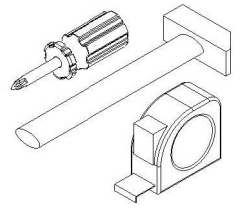


# STEP 30



# STEP 31





## STEP 32

